



Custom Designed  
for Height  
Adjustable Solutions

# ERGO MOTION



# 99%

of TiMOTION's customer application requirements can be solved by our experienced personnel providing highly customized solutions.

# 101%

TiMOTION guarantees complete customer satisfaction by providing a competitive packaged actuator solution coupled with a wide range of high quality products, global service networks and "on demand" R&D resources.

## **Features and Benefits of TiMOTION Actuation Systems for Office and Work Applications**

- 5 year mechanical warranty
- Anti-collision safety feature
- Controls with memory functionality
- Easy installation
- High strength
- Telescopic column design
- Low noise level
- Multiple solutions: columns or ergo kits
- 0.1W standby power consumption

# Highlights of TEK Series

Ergonomic height adjustable frame kits for office, institutional, and industrial environments.

TiMOTION offers a range of innovative, ergonomic work surface solutions with our TEK series frame kits. All necessary components are included within each kit – including lifting columns, controls, control boxes and software, wiring and assembly hardware. These kits are available in multiple colors with different styles of columns and optional accessories to enhance your customer's experience.



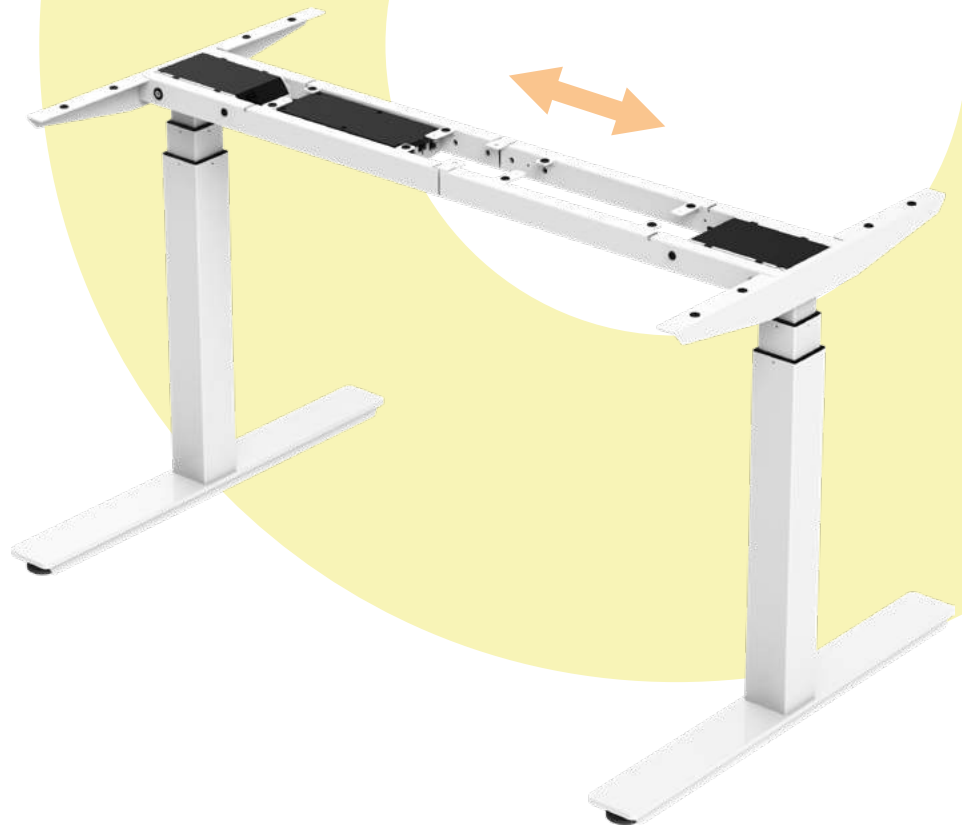


## Features and Benefits

- Adjustable width frame
- Anti-collision safety feature
- Easy assembly frame
- Energy conservation features
- High strength and stability-steel construction
- Low noise level
- Soft stop and start
- Multiple column and hand control options

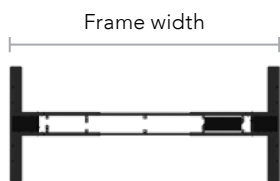
# TEK01

## series



### Two Leg Solution

Original Preassembled Desk Frame



TEK01 series

### General Features

#### Frame Orientation

Rectangular

#### Maximum Load

120kg

#### Constant Speed (<80Kg)

3 stage column: 40mm/s

2 stage column: 33mm/s

#### Frame Height

3 stage column: 630~1280mm

3 stage column (M): 600~1260mm

3 stage column (S)\*: 560~1220mm

2 stage column: 680~1180mm

\*Only available for TL4

#### Frame Width

Long: 1165~1965mm

Short: 1050~1850mm

#### Weight of TEK01 Package

33~40Kg\*

\*The actual weight of package may vary due to customer's selection of components.

#### Low Standby Power

<0.1W

#### Low Noise Level

39dB

#### Recommended Work Surface

##### Dimensions

Long: 1200~2000mm (width)

Short: 1100~1900mm (width)

700~1000mm (depth)

#### Accessories (optional)

Cable tray, safety lock and enhanced anti-collision feature with t-touch, TFA1/3, TWC

#### Other Features:

- Multiple column and control options
- High strength and stability - Steel construction
- Pre-assembled frame kit - Significantly reduces installation time

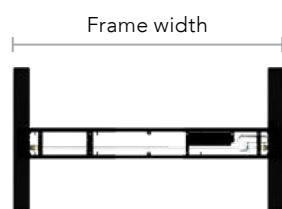
# TEK05

## series



### Two Leg Solution

Innovation Single Motor  
Desk Frame



TEK05 series

### General Features

#### Frame Orientation

Rectangular

#### Maximum Load

90kg

#### Constant Speed (<80Kg)

2 stage column: 33mm/s

#### Frame Height

2 stage column: 680~1180mm

#### Frame Width

1050~1600mm

#### Recommended Work Surface

##### Dimensions

1100~1700mm (width)

700~1000mm (depth)

#### Weight of TEK05 Package

31Kg\*

\*The actual weight of package may vary due to customer's selection of components.

#### Accessories (optional)

Enhanced anti-collision feature with  
t-touch, TFA1/3, TWC

#### Low Standby Power

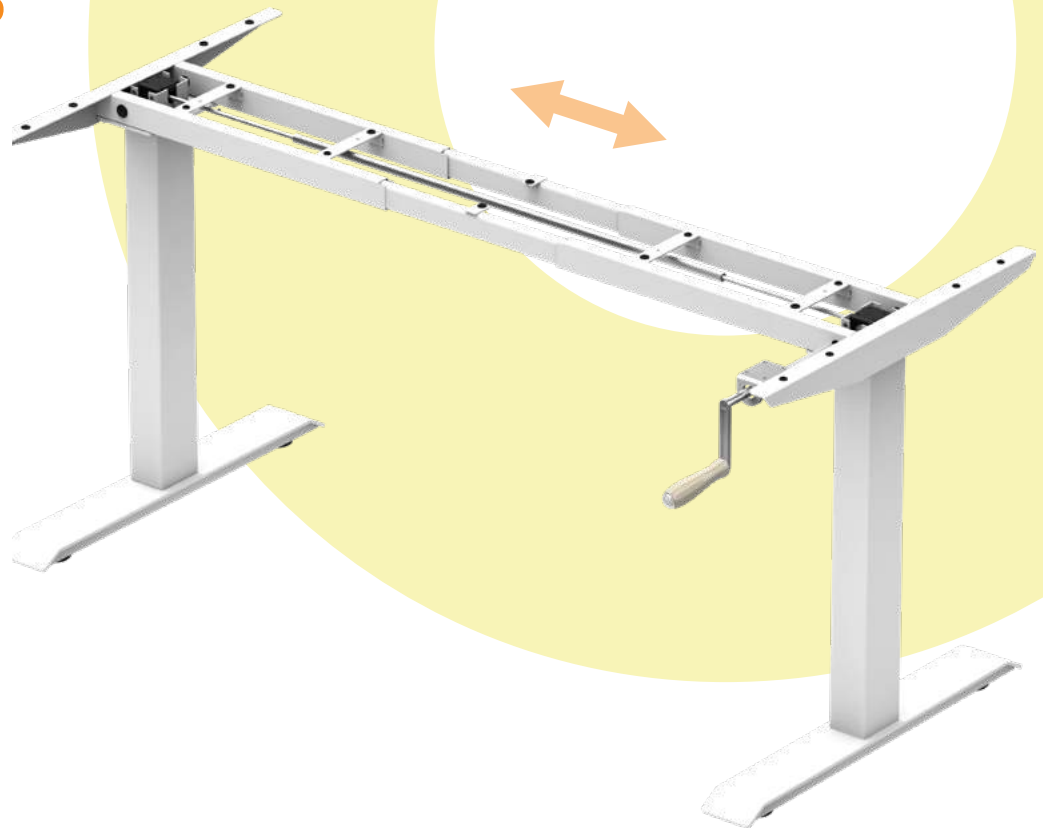
<0.1W

#### Other Features

- Multiple control options
- High strength and stability -  
Steel construction
- Semi-Preassembled –  
Motor and control box are mounted  
within the frame

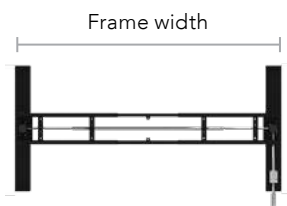
# TEK08

## series



### Two Leg Solution

Manually Operated  
Desk Frame



TEK08 series

### General Features

#### Frame Orientation

Rectangular

#### Maximum Load

80kg

#### Lifting Ratio

3mm/turn

9mm/turn

#### Recommended Work Surface

##### Dimensions

Hex shaft for hand crank 250mm:

1100~1700mm (width)

600~850mm (depth)

Hex shaft for hand crank 375mm:

1100~1700mm (width)

850~1050mm (depth)

#### Frame Height

2 stage column: 680-1130mm

#### Frame Width

1050~1600mm

#### Weight of TEK08 Package

29Kg\*

\*The actual weight of package may vary due to customer's selection of components.

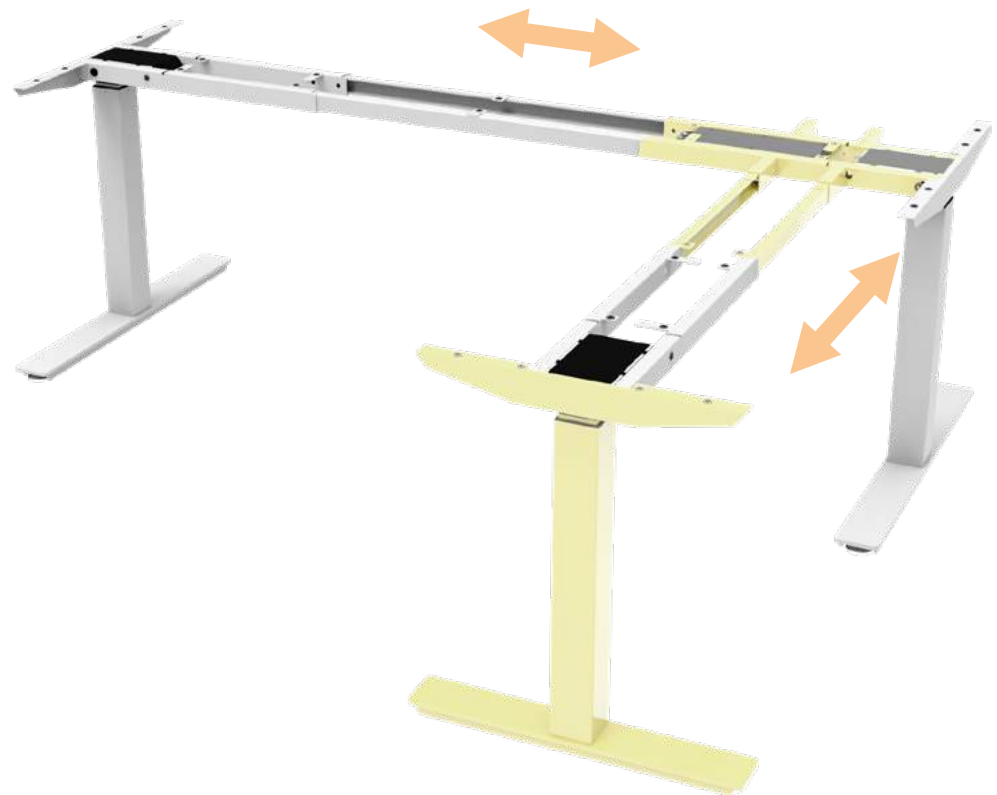
#### Other Features:

- High strength and stability - Steel construction
- Manually operated by a foldable hand crank which has three material options- Wood, metal or plastic



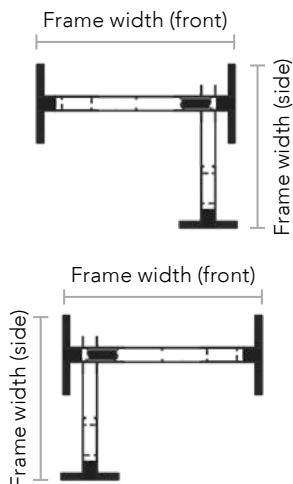
# TEK02

## series



### Three Leg Solution

#### L Shaped Three Leg Desk Frame



TEK02 series

### General Features

#### Frame Orientation

L-Shaped

#### Maximum Load

120 or 150kg

#### Constant Speed (<80Kg)

3 stage column: 40mm/s

2 stage column: 33mm/s

#### Frame Height

3 stage column: 630~1280mm

3 stage column (M): 600~1260mm

3 stage column (S)\*: 560~1220mm

2 stage column: 680~1180mm

\*Only available for TL4..

#### Frame Width

##### (With 600mm end pipe)

Front: 1165~1965mm

Side-Long: 1465~1870mm

Side-Short: 1345~1670mm

#### Recommended Work Surface

##### Dimensions (Front)

1200~2000mm (width)

700~1000mm (depth)

#### Weight of TEK02 Package

62Kg\*

\*The actual weight of package may vary due to customer's selection of components.

#### Accessories (optional)

Enhanced anti-collision feature with t-touch

#### Low Standby Power

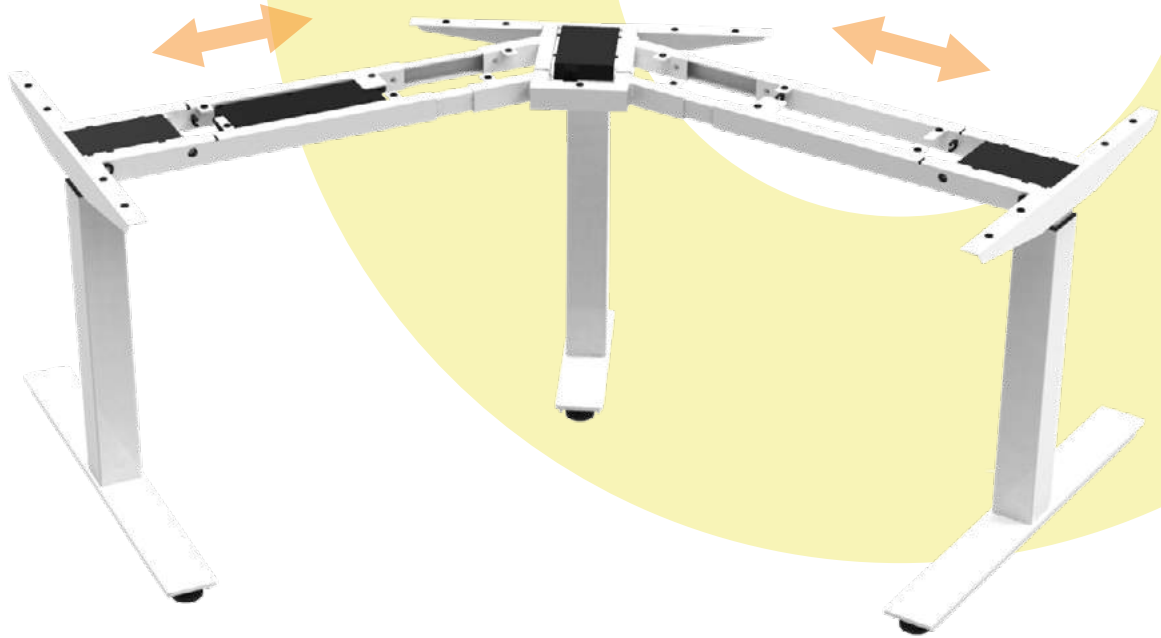
<0.1W

#### Other Features:

- Multiple column and control options
- High strength and stability - Steel construction
- Modular design - Easily change the TEK01 rectangular desk frame into the L shaped desk

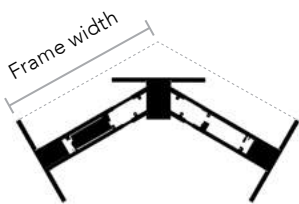
# TEK09

## series



### Three Leg Solution

120° Three Leg  
Desk Frame



TEK09 series

### General Features

#### Frame Orientation

120° Shape

#### Maximum Load

120kg or 150kg

#### Constant Speed (<80Kg)

3 stage column: 40mm/s

2 stage column: 33mm/s

#### Frame Height

3 stage column: 630~1280mm

3 stage column (M): 600~1260mm

3 stage column(S)\*: 560~1220mm

2 stage column: 680~1180mm

\*Only available for TL4.

#### Frame Width

1045~1240mm

#### Weight of TEK09 Package

62Kg\*

\*The actual weight of package may vary due to customer's selection of components.

#### Accessories (optional)

Enhanced anti-collision feature with t-touch

#### Low Standby Power

<0.1W

#### Other Features:

- Multiple column and control options
- High strength and stability - Steel construction

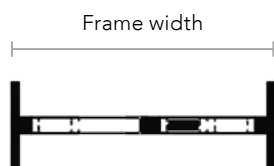
# TEK12

## series



### Three Leg Solution

#### Meeting Table Desk Frame



TEK12 series

### General Features

#### Frame Orientation

Rectangular

#### Maximum Load

120kg or 150kg

#### Constant Speed (<80Kg)

3 stage column: 40mm/s

2 stage column: 33mm/s

#### Frame Height

3 stage column: 630~1280mm

3 stage column (M): 600~1260mm

3 stage column (S)\*: 560~1220mm

2 stage column: 680~1180mm

\*Only available for TL4.

#### Frame Width

2260~3460mm

#### Low Standby Power

<0.1W

#### Recommended Work Surface

##### Dimensions

2300~3500mm (width)

700~1000mm (depth)

##### Weight of TEK12 Package

61.3Kg\*

\*The actual weight of package may vary due to customer's selection of components.

#### Accessories (optional)

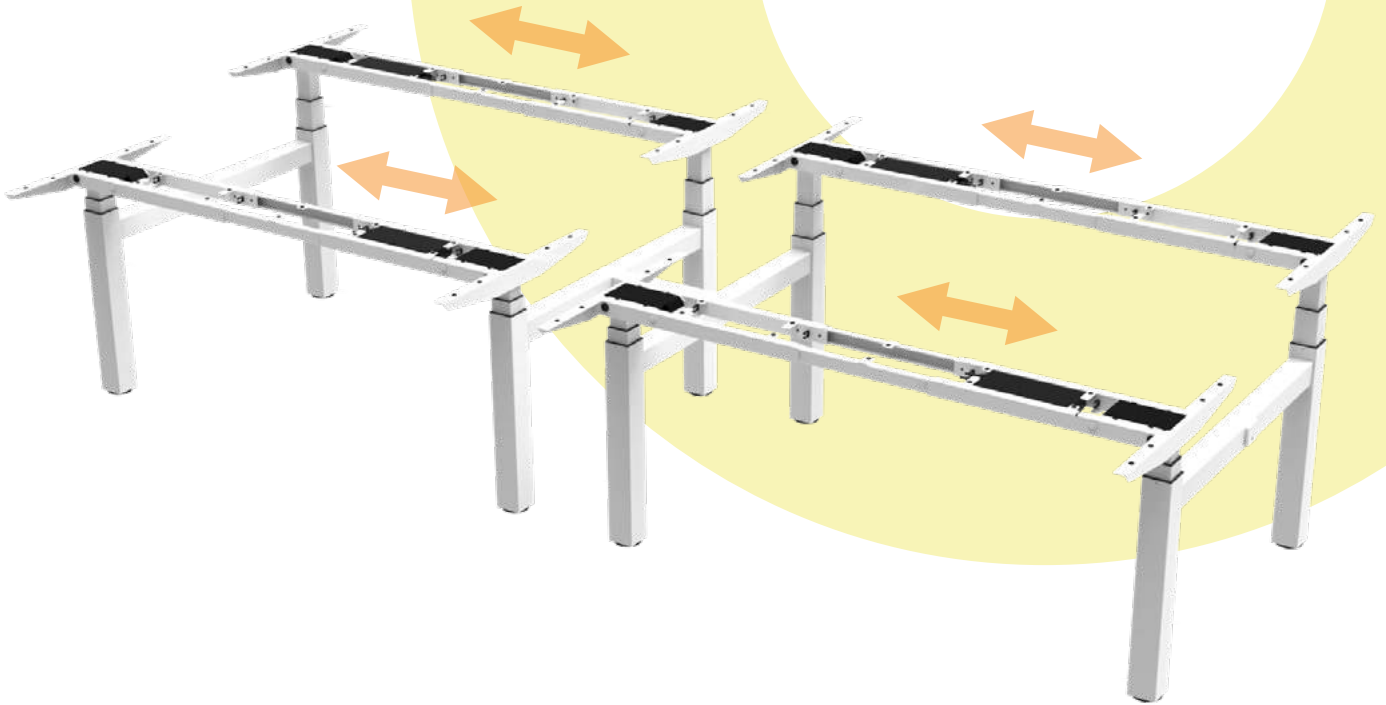
Enhanced anti-collision feature with t-touch

#### Other Features:

- Multiple column and control options
- High strength and stability - Steel construction
- Modular design - Easily change the TEK01 rectangular desk frame into the three leg conference table configuration

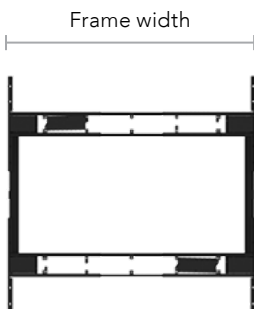
# TEK03

## series



### Bench Solution

Face-to-Face Modular Bench Solution



TEK03 series

### General Features

#### Frame Orientation

Face to Face; two independent desks linked as one module

#### Maximum Load

120kg (per frame)

#### Constant Speed (<80Kg)

3 stage column (TL4, TL9, TL10): 40mm/s  
2 stage column (TL13, TL14, TL15): 33mm/s

#### Frame Height

3 stage column (TL4, TL9, TL10): 630~1280mm  
3 stage column (M): 600~1260mm  
3 stage column (S)\*: 560~1220mm  
2 stage column (TL13, TL14, TL15): 680~1180mm  
\*Only available for TL4.

#### Frame Width

Each side: 1165~1965mm

#### Low Standby Power

<0.1W

#### Recommended Work Surface

##### Dimensions (Each side)

1200~2000mm (width)

700~1000mm (depth)

##### Weight of TEK03 Package

70Kg\*

\*The actual weight of package may vary due to customer's selection of components.

#### Accessories (optional)

Cable tray, safety lock and enhanced anti-collision feature with t-touch, TFA1/3, TWC

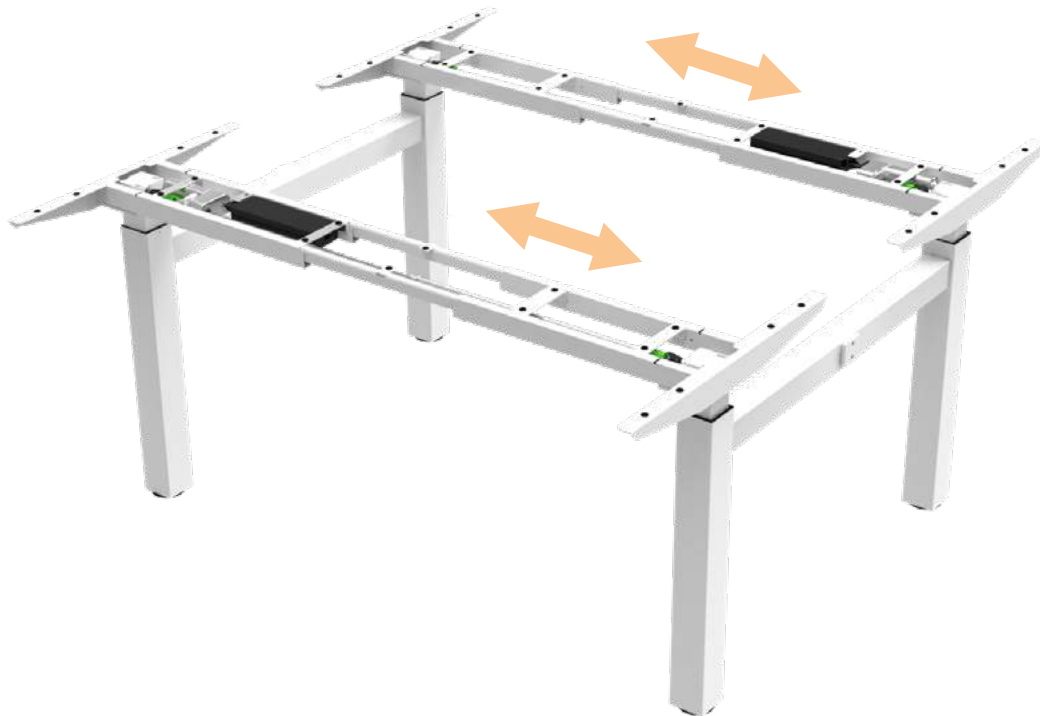
#### Other Features:

- Multiple column and control options
- High strength and stability - Steel construction
- Pre-assembled frame kit (each side) - Significantly reduces installation time

\*The complete TEK03 package includes 2 sets of TEK01 package and one set of side beam

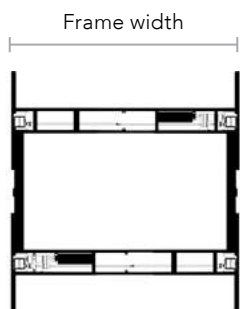
# TEK20

## series



### Bench Solution

#### Single Motor Bench Solution



TEK20 series

### General Features

#### Frame Orientation

Face to Face; two independent desks linked as one module

#### Maximum Load

90 kg (per frame)

#### Constant Speed (<80Kg)

2 stage column: 33mm/s

#### Frame Height

2 stage column: 680~1180mm

#### Frame Width

Each side: 1050~1600mm

#### Recommended Work Surface

##### Dimensions (Each side)

1100~1700mm (width)

700~1000mm (depth)

#### Weight of TEK20 Package

68Kg\*

\*The actual weight of package may vary due to customer's selection of components.

#### Accessories (optional)

Enhanced anti-collision feature with t-touch, TFA1/3, TWC

#### Low Standby Power

<0.1W

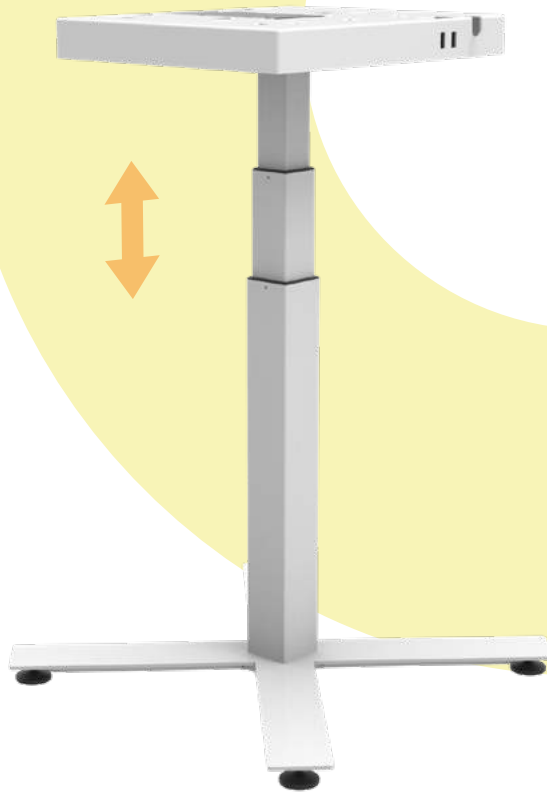
#### Other Features:

- Multiple control options
- High strength and stability - Steel construction
- Semi-Preassembled – Motor and control box are mounted within the frame

\*The complete TEK20 package includes 2 sets of TEK05 package and one set of side beam

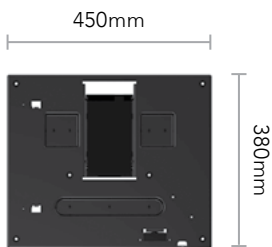
# TEK17

## series



### Single Leg Solution

Single Column  
Desk Frame



TEK17 series

### General Features

#### Frame Orientation

Rectangular

#### Maximum Load

70kg

#### Constant Speed (<80Kg)

3 stage column: 36mm/s

2 stage column: 31mm/s

#### Frame Height

3 stage column: 630~1280mm

3 stage column (M): 600~1260mm

3 stage column (S)\*: 560~1220mm

2 stage column: 680~1180mm

\*Only available for TL4.

#### Weight of TEK17 Package

27Kg\*

\*The actual weight of package may vary due to customer's selection of components.

#### Accessories (optional)

Enhanced anti-collision feature with t-touch, TFA1/3, TWC

#### Low Standby Power

<0.1W

#### Other Features:

- Multiple column and control options
- High strength and stability - Steel construction

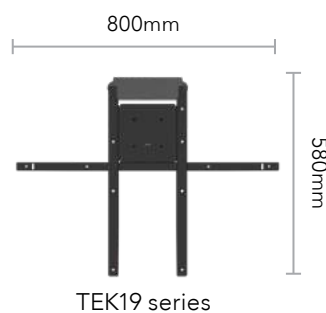
# TEK19

## series



### Single Leg Solution

#### Single Column Desk Frame



### General Features

#### Frame Orientation

Rectangular

#### Maximum Load

80 kg

#### Constant Speed (<80Kg)

2 stage column: 33mm/s

#### Frame Height

2 stage column: 675~1175mm

#### Accessories(optional)

Enhanced anti-collision feature with t-touch, TFA1/3, TWC

#### Low Standby Power

<0.1W

#### Other Features:

- Multiple column and control options
- High strength and stability - Steel construction

# Highlights of TL Series

TiMOTION's TL series lifting columns are specifically designed for use in ergonomic desks and work tables. Using multiple TL series lifting columns with compatible TC series Control Boxes and TH/TDH series controls, work surfaces can be controlled quietly and smoothly with synchronous movement. All Ergo Motion TC series control boxes have a less than 0.1W standby power option that reduces power consumption. Our wide range of columns offer customers the devices they require to satisfy their working environment project requirements.

## Technical data for the TL series (Lifting Columns)

Model	TL4	TL7	TL9	TL10
# of telescopic stages	Three Stage			
Shape	Square	Square	Round	Rectangular
Features	Narrow top / Wide bottom	Wide top / Narrow bottom	Narrow top / Wide bottom	
Size (mm)	70 x 70	70 x 70	ø70	80 x 60
Max. rated load (kg)	80			
Max. speed at full load (mm/s)	33			
Stroke (mm)	650 / 660 (M/S)			
Min. dimension (mm)	590 / 560 (M) / 520 (S)			

\*S is only available for TL4





TL4 Series



TL7 Series



TL9 Series



TL10 Series



TL11 Series



TL12 Series



TL13 Series



TL14 Series



TL15 Series



TL26 Series



TL28 Series



TL29 Series

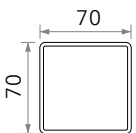
TL11	TL12	TL13	TL14	TL15	TL26	TL28	TL29
Three Stage		Two Stage					
Round	Rectangular	Square	Round	Rectangular	Rectangular	Square	Round
Wide top / Narrow bottom		Narrow top / Wide bottom			Wide top / Narrow bottom		
ø70	80 x 60	70 x 70	ø70	80 x 60	80 x 60	70 x 70	ø70
80		80					
33		28					
650 / 660 (M/S)				500			
590 / 560 (M) / 520 (S)				645			

# Column Appearances

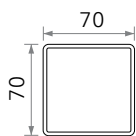
Our Ergo Motion product line includes 12 standard columns with motor housings, which all fit the same desk frame. Our TEK series Ergo Kits provide an economical solution for ergonomic surface design.

- Rectangular, round or square appearances
- Two or three stage telescopic outer tubes
- Columns can be configured for wide top/narrow bottom, or vice versa depending on preference

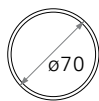
TL4 series



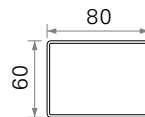
TL7 series



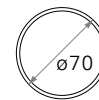
TL9 series



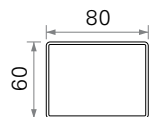
TL10 series



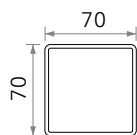
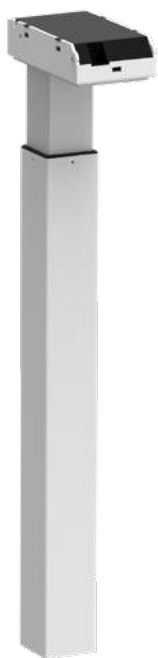
TL11 series



TL12 series



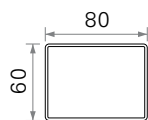
TL13 series



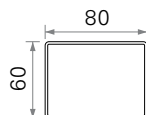
TL14 series



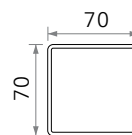
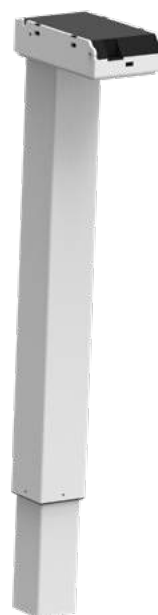
TL15 series



TL26 series



TL28 series

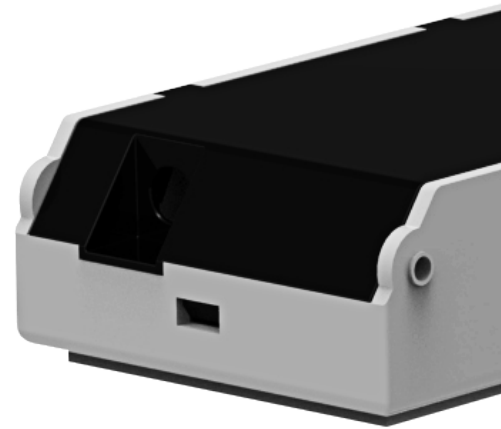


TL29 series



## Four Standard Colors

- Black (RAL 9005)
- Grey (RAL 9006 / 9022)
- White (RAL 9016)





# Control Boxes

**0.1W**  
standby power  
consumption 

TiMOTION offers a wide range of control boxes and controls that can be used with Ergo Motion motors. Control boxes have the options of 0.1W stand-by consumption power and various safety features. A built-in SMPS transformer is also included within each control box.



### TC11 Series

- Single motor support
- Dimensions (mm): 228 (L) x 66 (W) x 39 (H)



### TC15 Series

- Two motor support
- Dimensions (mm): 242 (L) x 94 (W) x 40 (H)



### TC15P Series

- Two motor support
- Dimensions (mm): 242 (L) x 94 (W) x 40 (H)
- Support external battery, compatible with wireless / USB charger
- Optional T-touch & Bluetooth built-in functionality



### TC16 Series

- Three motor support
- Dimensions (mm): 261 (L) x 94 (W) x 38 (H)



### TC22 Series

- Up to four motor support
- Dimensions (mm): 340.5 (L) x 100 (W) x 42.2 (H)
- Support external battery, compatible with wireless / USB charger
- Optional T-touch & Bluetooth built-in functionality

# Controls



## TH14 Series

- 2 buttons
- Up-down function



## TH37 Series

- 2 buttons
- Up-down function



## TFH8 Series

- 2 buttons
- Up-down function



## TFH13 Series

- 2 buttons
- Flush mounted on the tabletop



## TFH21 series

- Intuitive toggle switch

# Controls



### TDH1 series

- 2 buttons
- With 3-digit height display
- Flush mounted on the tabletop



### TDH2 series

- 6 buttons
- With 3-digit height display
- Memory functionality (3 settings)
- Flush mounted on the tabletop



### TDH3 series

- 6 buttons
- With 3-digit height display
- Memory functionality (3 settings)



### TDH4 series

- 2 buttons
- With 3-digit height display
- Flush mounted on the tabletop



### TDH5 series

- 6 buttons
- With 3-digit height display
- Memory functionality (4 settings)



### TDH5PR series

- 6 buttons
- With 3-digit height display
- Memory functionality (4 settings)
- TWD1 compatible\*

\*TWD1 refers to the Bluetooth accessory.





### TDH6 series

- 7 buttons
- With 3-digit height display
- Memory functionality (4 settings)
- Backlight available



### TDH6PR series

- 7 buttons
- With 3-digit height display
- Memory functionality (4 settings)
- Backlight available
- TWD1 compatible\*



### TDH8 series

- 2 buttons
- Options: Frame color, backlight
- TWD1 compatible\*



### TDH8D series

- 2 buttons
- Options: Frame color, backlight
- With 3-digit height display
- TWD1 compatible\*



### TDH8P series

- 6 buttons
- With 3-digit height display
- Memory functionality (4 settings)
- Options: Frame color, backlight



### TDH9P series

- 6 buttons
- With 3-digit height display
- Memory functionality (4 settings)
- TWD1 compatible\*
- Options: Frame color, backlight



### TDH11P series

- 6 buttons
- With 3-digit height display
- Memory functionality (4 settings)
- TWD1 compatible\*



### TDH12P series

- 4 buttons
- With 3-digit height display
- Memory functionality (4 settings)
- TWD1 compatible\*
- With intuitive knob control

\*TWD1 refers to the Bluetooth accessory.

# Controls



### TDH13P series (NEW)

- 6 buttons
- With 3-digit height display
- Memory functionality (4 settings)
- TWD1 compatible\*
- Options: Multiple case colors



### TDH14P series (NEW)

- 6 buttons
- With 3-digit height display
- Memory functionality (4 settings)
- TWD1 compatible\*



### TDH15 series

- 2 buttons
- TWD1 compatible\*



### TDH16P series

- 2 buttons
- TWD1 compatible\*



### TDH17 series

- 4 buttons
- Support two sets of motor control
  - One for lifting columns
  - One for tilt motor for tabletop
- TWD1 compatible\*
- Options: 3-digit height display



### TDH18P series

- 5 buttons
- With 3-digit height display
- Memory functionality (2 settings)
- TWD1 compatible\*
- With 2 USB charging ports and safety lock button

\*TWD1 refers to the Bluetooth accessory.

# Accessories

for TEK SERIES



## USB Charging Kit - TFA1

- USB charging kit
- Mounted on the tabletop
- Output: 5V, 2.1A



## USB Charging Kit - TFA3

- USB charging kit
- Mounted under the tabletop
- Output: 5V, 2.1A



## Wireless Charging Kit - TWC

- Wireless charging kit
- Flush mounted on the tabletop
- Output: 5V, 2.1A



## Wireless Dongle - TWD1

- A wireless dongle with Bluetooth functionality



## Collision Sensor - TCS1

- TCS1 is a collision sensor based on t-touch technology which does not require any additional hardware upgrades.



## Convertible Cover

- Make colorful changes on your own desk easily by adding the convertible cover to the columns and feet.
- Available for TL4 (590mm retracted length)



## Foot Castors

- It makes the desk move easily. It can be rotated for 360°.
- Option: With or without brake



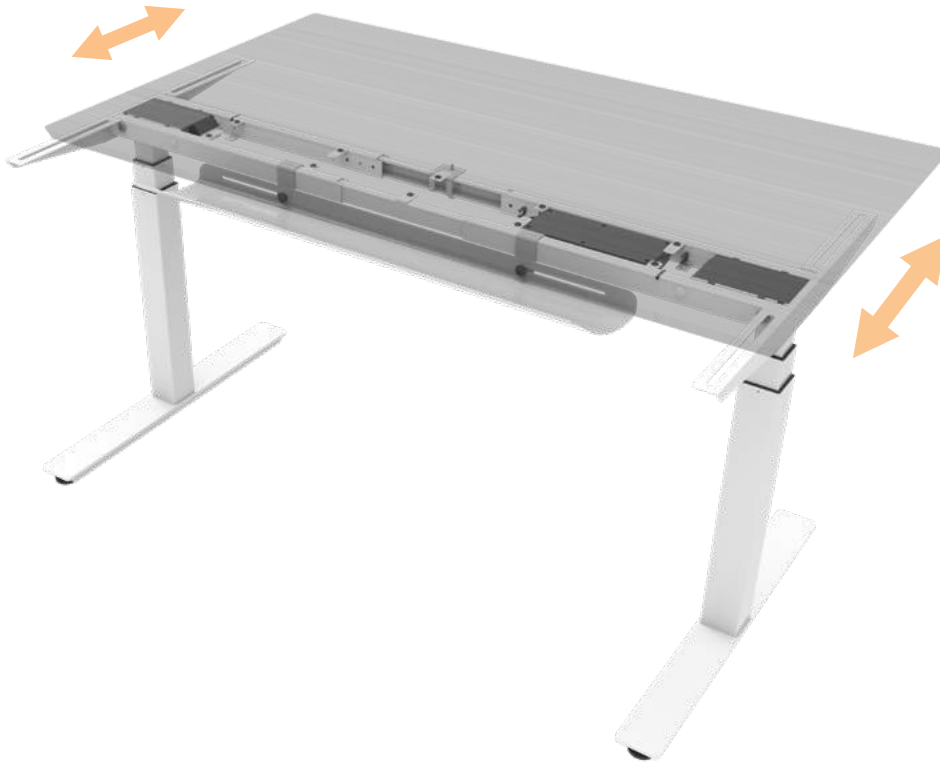
## Mobile app - Stand Up Pls

- It allows you to control the height adjustable desks from your mobile devices via Bluetooth.



# Accessories

for TEK SERIES



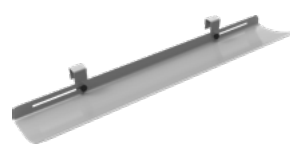
## Cable Management Solution

Our cable management systems can be added to your workstation set-up, to reduce the clutter of messy cables surrounding the desk.



### End Pipe for Sliding Top

- The End Pipes for the Sliding Tabletop Track system provide easy access to the cable tray by allowing the table top to slide backwards and forwards.



### Cable Tray

- The Cable Tray manages the cables for electronic items placed on the work surface (e.g. laptops, monitors, lamps).



### Safety Lock

- Used with the sliding end pipes to prevent accidental movement of the tabletop.

# Accessories

for TEK03 SERIES



## Cable Tray for TEK03

- The Cable Tray manages the cables for electronic items placed on the work surface (e.g. laptops, monitors, lamps).

## Alternatives for Height Adjustable Stands

TiMOTION columns, without motor housings, provide solutions for TV and display lifting systems. Our elegant one or two column electric actuation systems improve the aesthetics, reliability and functionality of your design.



TL5 Series



TL18 Series



TL19 Series



TVL3 Series

### Technical data for columns without motor housings:

Model	TL5	TL18	TL19	TVL3
Max. Related Load (N)	800	4500	800	600
Max. Speed at Full Load (mm/s)	20mm/s ( in 800N push condition)	28mm/s ( in 500N push condition)	33mm/s	22mm/s
Stroke (mm)	675	100~700	500	650 (S) 780 (M) 914 (L)
Min. Dimensions (mm)	560	Stroke+147	625	570 (S) 685 (M) 795 (L)

## Terms of Use

The user is responsible for determining the suitability of TiMOTION products for a specific application. TiMOTION takes great care in providing accurate and up-to-date information on its products. However, due to continuous development, frequent modifications and changes to products may occur without prior notice. It is for this reason that TiMOTION cannot guarantee the correct and actual status of said information on its products, nor can it guarantee the availability of any particular product.

Therefore, TiMOTION reserves the right to discontinue the sale of any product displayed on its website or listed in its catalogues or other written material produced by TiMOTION.

For the most accurate and up-to-date information on our products, please refer to TiMOTION's website

[www.timotion.com](http://www.timotion.com)



Every Day is Earth Day

TiMOTION uses FSC certified paper in order to help care for our forests, as well as the people and wildlife who call them home.

## Contact Information

www.timotion.com  
sales.tw@timotion.com

## Headquarters

### TiMOTION Technology Co., Ltd.

10F, No. 100 Minquan Rd,  
Xindian Dist, New Taipei City,  
23141, Taiwan  
Tel 886 2 2219 6633  
Fax 886 2 2219 0295

## Corporate Offices

### Dongguan

Shiyong Minying Industrial Zone,  
Hengli Town, Dongguan City,  
Guangdong, 523460, China  
Tel 86 769 8706 2055  
Fax 86 769 8706 2056

### Kunshan

Room 14  
(Building B, 2nd Floor, North),  
Zhang Pu Zhen Qiu Road 88,  
Kunshan City,  
Jiangsu Province, China  
Tel 86 512 5526 0735  
Fax 86 512 5526 0736

### Europe

1131 avenue Saint-Just,  
77000 Vaux-le-Pénil, France  
Tel 33 (0)1 74 82 50 51  
Fax 33 (0)1 64 79 02 12  
sales.eu@timotion.com

### Sales office in Germany

Brandstr. 10,  
53721 Siegburg, Germany  
Tel 49 2241 1487902  
Fax 49 2241 1487904  
sales.eu@timotion.com

### Korea

289 Sangsangok-dong,  
Hanam-si, Gyeonggi-do, Korea  
Tel 82 31 745 1060  
Fax 82 31 794 1062  
sales.kr@timotion.com

### Japan

2-6-21, Kumata,  
Higashisumiyoshi-ku,  
Osaka, 546-0002, Japan  
Tel 81 6 6713 1188  
Fax 81 6 6713 1116  
sales.jp@timotion.com

### USA

1535 Center Park Drive,  
Charlotte, NC 28217, USA  
Toll free (855) 235 1424  
sales.us@timotion.com

### Latin America

Rua Pedro de Toledo, 80 - Vila  
Clementino, São Paulo - SP,  
04039-000, Brazil  
Tel 55 (11) 5081 5011  
sales.la@timotion.com

## Distributors

TiMOTION is represented  
in the following countries

- Australia
- Brazil
- Denmark
- Finland
- India
- Iran
- Poland
- Sweden
- Turkey

