

# TBB7

series



## Product Segments

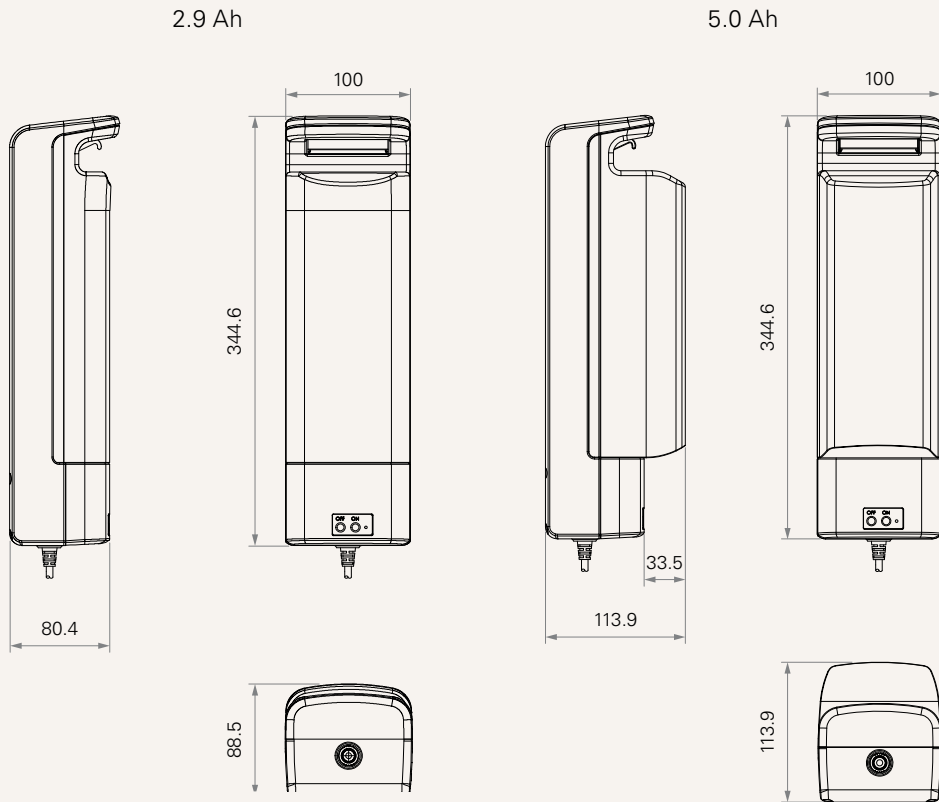
- **Care Motion**
- **Comfort Motion**

## General Features

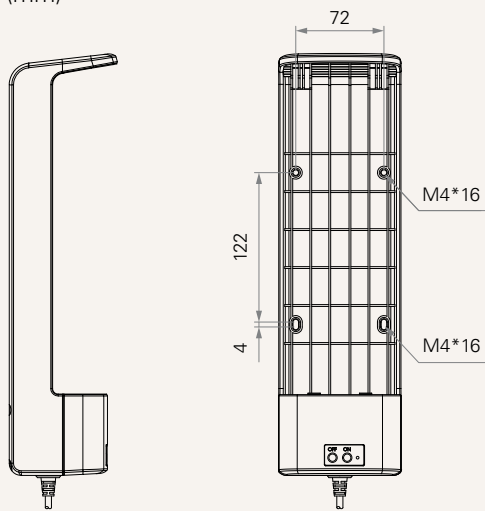
Battery type	Lead acid, Lithium
Capacity	2.9/5Ah (Lead acid); 2.5/4.5/10Ah (Lithium)
Discharging voltage	24V DC, 2.9/5A
Charging voltage	29~45V DC
Color	Grey
IP rating	IP54
Certificate	IEC60601-1, ES60601-1
LED indication (for charge/discharge status)	
With built-in buzzer	
Low standby power consumption	
Detachable battery pack, battery capacity indicator	

**Drawing**

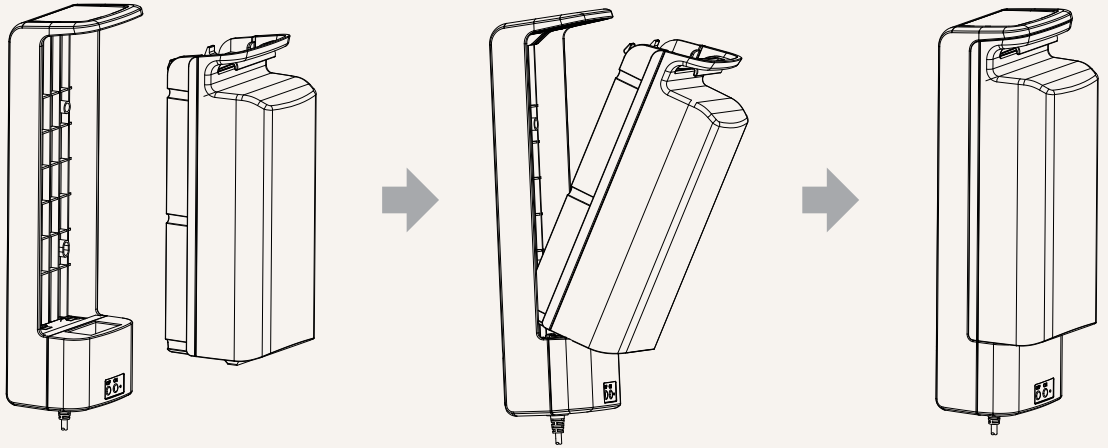
Standard Dimensions  
(mm)



Dimensions with Base  
(mm)



**Battery Installation**



<b>Battery Capacity</b>	0 = No battery cell	2 = 5.0Ah (Lead-acid battery)	4 = 4.5Ah (lithium battery)
	1 = 2.9Ah (Lead-acid battery)	3 = 2.5Ah (lithium battery)	5 = 10Ah (lithium battery)

<b>Battery Capacity Indicator</b>	1 = With	2 = Without
-----------------------------------	----------	-------------

<b>Color</b>	2 = Pantone 428C
--------------	------------------

<b>Cable Length (mm)</b>	1 = Straight, 1000	2 = Straight, 2000
--------------------------	--------------------	--------------------

<b>Charging Port</b>	1 = With	2 = Without
----------------------	----------	-------------

<b>On / Off Switch</b>	1 = With
------------------------	----------

<b>Buzzer</b>	0 = Without	1 = With
---------------	-------------	----------

<b>IP Rating</b>	1 = Without	2 = IP54	3 = IP66
------------------	-------------	----------	----------

### Terms of Use

The user is responsible for determining the suitability of TiMOTION products for a specific application. TiMOTION products are subject to change without prior notice.