

TBL2

series



Product Segments

- **Care Motion**

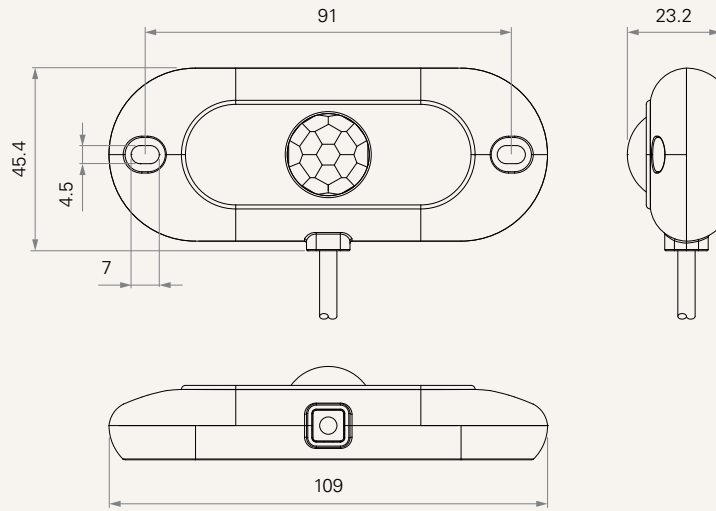
The TBL2 is a medical accessory that combines sensors and light functions. It lights up when nearby motion is detected. It keeps patients safe at night and helps prevent accidents. The TBL2 can be used on medical bed applications in homecare, nursing homes, and hospital environments.

General Features

With PIR motion sensor
Sensor detected area 140°
Multiple LED colors
IP66W

Drawing

Standard Dimensions
(mm)



Voltage	1 = 5V			
MCU	1 = With			
Control Box Type	1 = With MCU			
PIR Motion Sensor	1 = With			
LED Color	1 = Single color (White)	2 = Single color (Orange)	3 = Single color (Green)	
Brightness	1 = High			
Plug	2 = RJ 10P (Connect to with MCU control box's handset channel)			
Plug Angle	1 = 90°	2 = 180°		
Cover Color	1 = Black	3 = Pantone 428C		
Cable Length (mm)	1 = Straight, 1000	3 = Straight, 1500	5 = Straight, 2000	
	2 = Straight, 1200	4 = Straight, 1800	6 = Straight, 2500	
IP Rating	1 = Without	2 = IP54	3 = IP66	4 = IP66W

Terms of Use

The user is responsible for determining the suitability of TiMOTION products for a specific application. TiMOTION products are subject to change without prior notice.