

TC10

series



Product Segments

• Care Motion

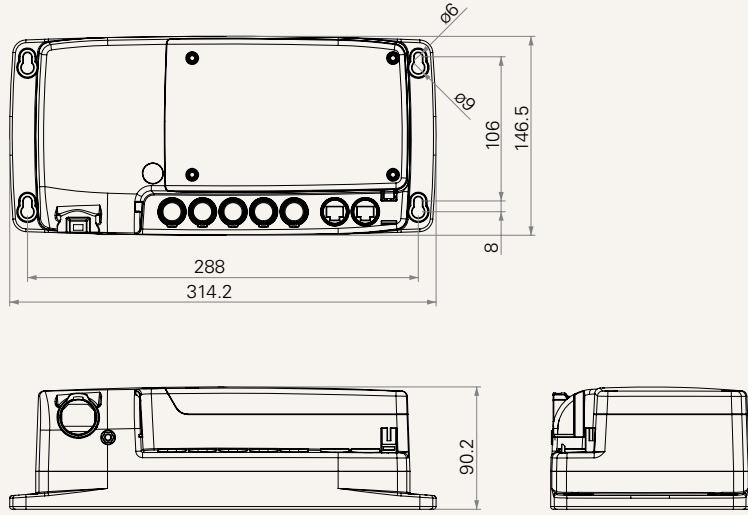
General Features

Number of motors	1~5
Number of controls	1~2
Max. output	29V DC, 12A
IP rating	IP66
Options	built-in battery and alarm buzzer
Input Voltage	100, 120, 230V AC, or 100~240V AC (SMPS)
Built-in transformer type	EI, Toroidal, SMPS
Certificate	IEC60601-1, ES60601-1, IEC60601-1-2
Plug support	EU, USA, AUS, UK, or JPN
Color	Black or grey
Built-in power saving module	

TC10 Series

Drawing

Standard Dimensions
(mm)



Voltage	1 = 100V AC	2 = 120V AC	3 = 230V AC	4 = 100~240V AC (SMPS)
Plug	1 = EU 2 = USA	3 = AUS 4 = UK	5 = JPN	
Number of Actuators	1 = 1 2 = 2	3 = 3 4 = 4	5 = 5	
Handset Input	1 = 1	2 = 2		
Back Up Battery	0 = Without	1 = With (1.2Ah)		
Color	1 = Black	2 = Grey (Pantone428C)		
Cable Length (mm)	1 = Straight, 2000	2 = Straight, 4000		
IP Rating	1 = Without	2 = IP54	3 = IP66	
Buzzer	0 = Without	1 = With		
Grounding Function	0 = Without	1 = With		
Transformer	2 = EI (3A) 4 = Toroidal (4A)	5 = Toroidal (5A) 6 = SMPS (2.5A)	7 = SMPS (4A)	

Terms of Use

The user is responsible for determining the suitability of TiMOTION products for a specific application. TiMOTION products are subject to change without prior notice.