

TC23

series



Product Segments

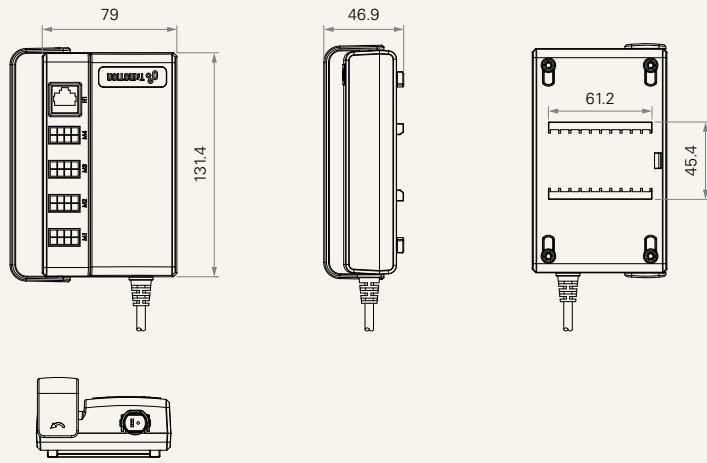
• Comfort Motion

General Features

Number of motors	1~4
Max. output	24V DC, 5A
Input Voltage	24V DC
Certificate	IEC60335, FCC, EN60529
Color	Black or grey

Drawing

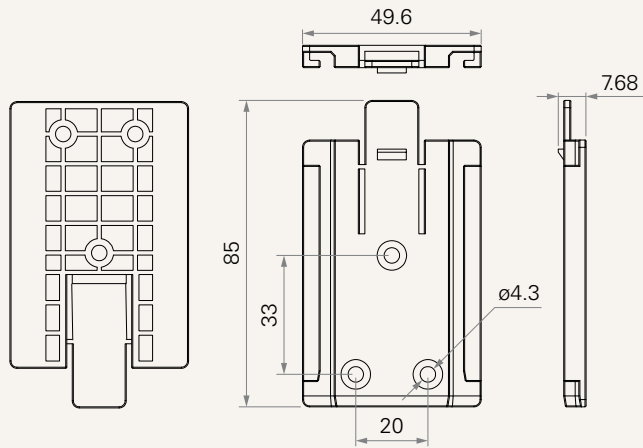
Standard Dimensions
(mm)



Voltage	B = 24V DC input (24V~45V); compatible with TP power supply			
MCU	1 = With			
Wireless Module	0 = Without	R = 315 MHz	F = 433 MHz	
Number of Actuators	1 = 1	2 = 2	3 = 3	4 = 4
Number of Controls	1 = 1			
DC Input Plug	1 = DIN 4P	3 = Long DIN 5P	7 = Small 01P	
DC Cable Length (mm)	0 = Without	1 = Straight, 1000		
Plug Guard	1 = With			
Color	1 = Black	2 = Pantone 428C		
Mounting	0 = Without	3 = Fixed by Plactic bracket		
See page 4				
IP Rating	1 = Without			

Mounting

3 = Fixed by Plastic bracket



Terms of Use

The user is responsible for determining the suitability of TiMOTION products for a specific application. TiMOTION products are subject to change without prior notice.