

# TDH16

series



---

## Product Segments

- **Ergo Motion**

---

## General Features

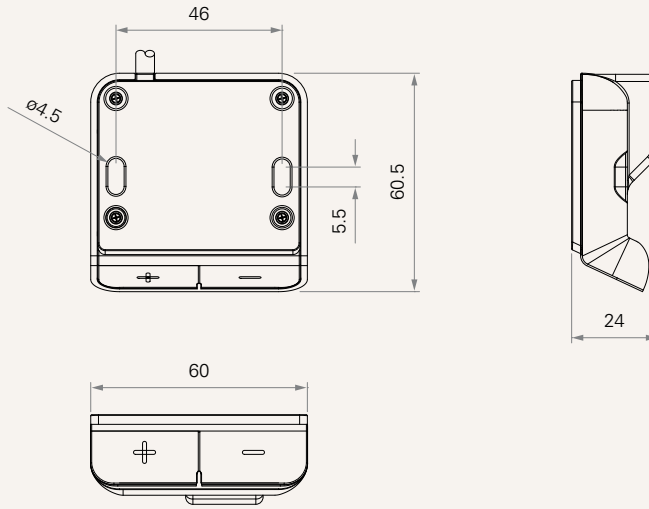
Max. available buttons 2  
Simple control for height-adjustable desks  
Compatible with the TWD1 (Bluetooth adapter)\*  
Mounted under the tabletop

## Note

<sup>1</sup> With TWD1, it can control the desk height remotely via the "STAND UP PLS" app.

**Drawing**

Standard Dimensions  
(mm)



## TDH16

Version: 20201028-C

<b>Connector</b>	6 = RJ 10P flat, 180°, for Ergo TC	7 = RJ 10P flat, 90°, for TC22
<b>Case Color</b>	1 = Black	
<b>Button Icon</b> <a href="#">See page 4</a>	1 = + -	2 = ▼▲
<b>Logo (Print)</b>	1 = Without	
<b>Cable Length (mm)</b>	1 = Straight, 1000	2 = Straight, 2000
<b>Anti-Pulling Tube</b>	0 = Without	1 = With

---

## Button Icon

1 = +-



2 = ▼▲



---

## Terms of Use

The user is responsible for determining the suitability of TiMOTION products for a specific application. TiMOTION products are subject to change without prior notice.