

# TDH18P

series



## Product Segments

- **Ergo Motion**

## General Features

- Max. available buttons 5
- 3-digit display shows the height of the desk
- 2 or 3 Memory positions
- With 2 USB charging ports and safety lock button
- Especially designed for height-adjustable desks
- Compatible with the TWD1 (Bluetooth adapter)\*
- Mounted to the desk front side

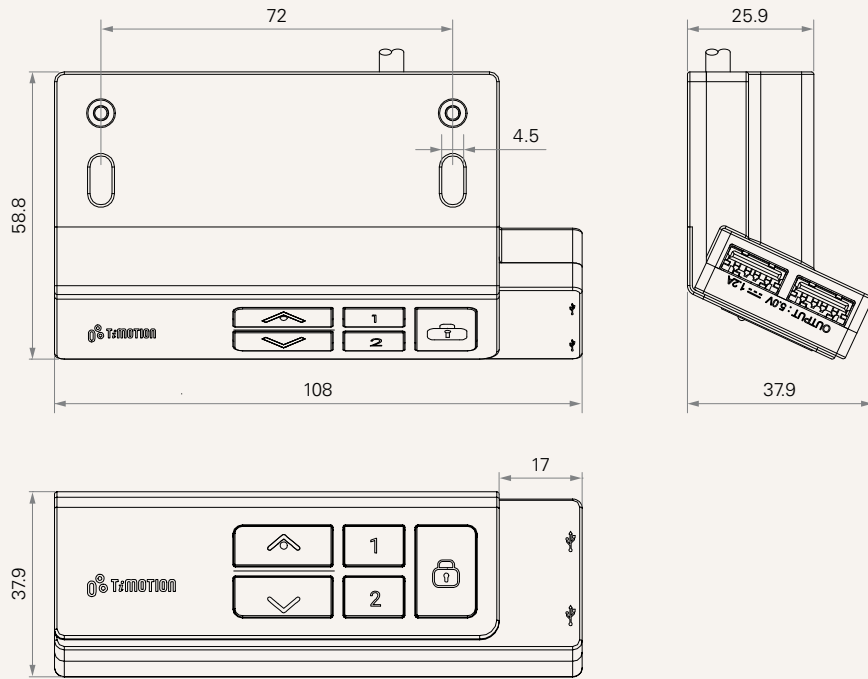
## Note

\* With TWD1, it can control the desk height remotely via the "STAND UP PLS" app.

# TDH18P Series

## Drawing

Standard Dimensions  
(mm)



## TDH18P

Version: 20210907-G

<b>Connector</b>	6 = RJ 10P flat, 180°, for Ergo TC	7 = RJ 10P flat, 90°, for TC22
<b>Front Panel</b>	1 = Black	
<b>Top / Bottom Cover Color</b>	1 = Black	2 = White S
<a href="#">See page 4</a>		
<b>Logo (Print)</b>	1 = Without	2 = TiMOTION
<b>Button Screen Printing</b>	1 = Option 1- Funtional button: safety lock	2 = Option 2- Funtional button: memory 3
<a href="#">See page 4</a>		
<b>Unit</b>	1 = Metric system (cm)	2 = Imperial system (inch)
<b>Cable Length (mm)</b>	1 = Straight, 1000	
<b>Anti-Pulling Tube</b>	0 = Without	1 = With
<b>Charging Function</b>	1 = 1 charging port	2 = 2 charging ports
<b>Buzzer</b>	0 = Without	1 = With

## Top / Bottom Cover

1 = Black

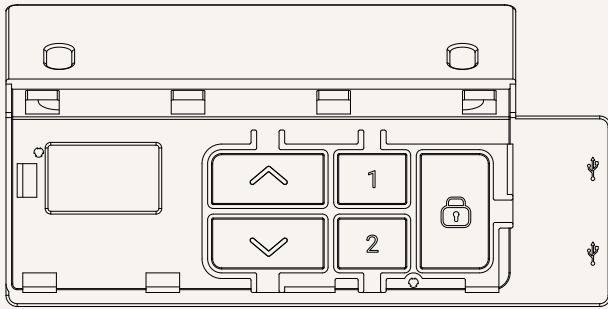


2 = White S

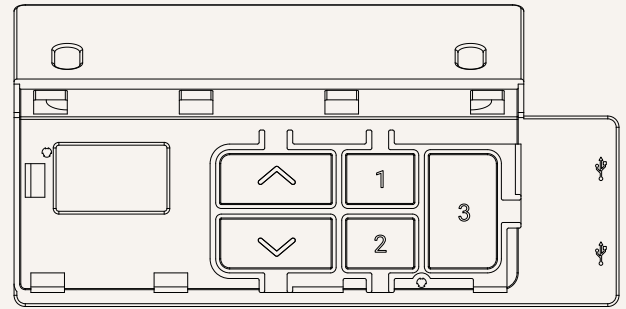


## Button Screen Printing

1 = Option 1- Funtional button: safety lock



2 = Option 2- Funtional button: memory 3



## Terms of Use

The user is responsible for determining the suitability of TiMOTION products for a specific application. TiMOTION products are subject to change without prior notice.