

TDH27P

series



Product Segments

- **Ergo Motion**

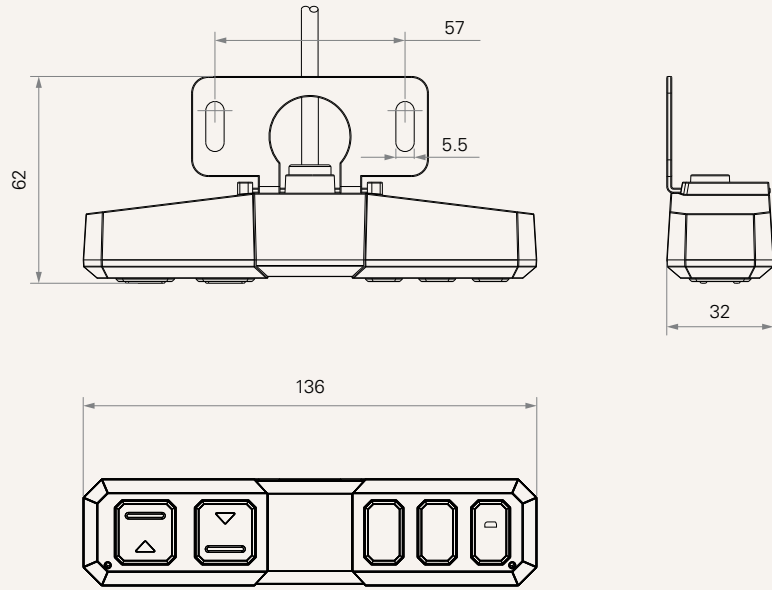
TiMOTION's TDH27P is a unique hand control specially designed for height-adjustable mechanisms in industrial worksites. Equipped by a sturdy outer case, an IP66 rating, and ESD protection, the TDH27P is highly durable in harsh environments filled with grease and dust. The hand control's large-sized buttons and embossing make operation fun and easy, even with gloves. The TDH27P also supports two preset positions, one functional button, and a visible digit display.

General Features

Max. available buttons	5
Color	Case: Matte black
IP rating	IP66
Options	Anti-pulling tube
Safety lock button	
Customized side cover color	
ESD protection	
Especially designed for Industrial workstation applications	

Drawing

Standard Dimensions
(mm)



Plug	1 = RJ 10P, 180° 6 = RJ 10P flat, 180°, for Ergo TC	7 = RJ 10P flat, 90°, for TC22
Color of Plastic Key	1 = Standard, Pantone 425C	
Case Color	1 = Matte black	
Logo (Print)	1 = Without	2 = TiMOTION
Button Screen Printing	1 = Option 1- Funtional button: safety lock	
Unit	1 = Metric system (cm)	2 = Imperial system (inch)
Cable Length (mm)	1 = Straight, 1000	2 = Straight, 2000
Anti-Pulling Tube	0 = Without	1 = With

Terms of Use

The user is responsible for determining the suitability of TiMOTION products for a specific application. TiMOTION products are subject to change without prior notice.