

TDH4

series



Product Segments

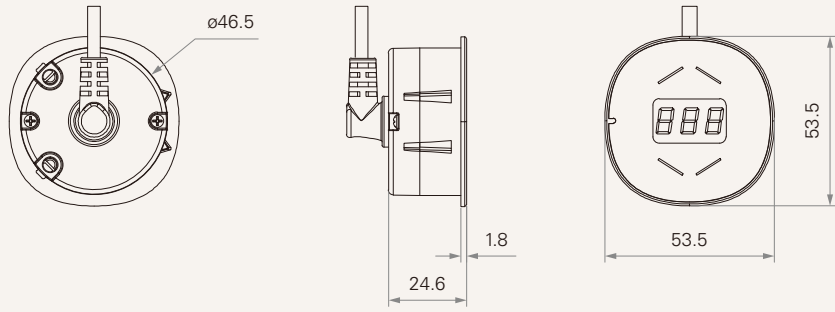
- **Ergo Motion**

General Features

Max. available buttons	2
Color	Case: Black, creamy white Membrane: Black, white
Options	Anti-pulling tube
3-digit display shows the height of the desk	
Touch control for height-adjustable desks	
Mounted on the tabletop	

Drawing

Standard Dimensions
(mm)



Connector	1 = RJ 10P, 180° 6 = RJ 10P flat, 180°, for Ergo TC	7 = RJ 10P flat, 90°, for TC22
Case Color	1 = Black	2 = Creamy white
Membrane Color	1 = Black	2 = White C
Cable Length (mm)	1 = Straight, 1000	2 = Straight, 2000
Unit	1 = Metric system (cm)	
Anti-Pulling Tube	0 = Without	1 = With

Terms of Use

The user is responsible for determining the suitability of TiMOTION products for a specific application. TiMOTION products are subject to change without prior notice.