

# TDH8

series



## Product Segments

- **Ergo Motion**

TDH8 series features a lively design with a wide selection of outer ring colors. If none of the colors suits you, it is also possible to customize the color to fit your design. It can work with the Bluetooth adapter-TWD1, controlling the desk height remotely via the “STAND UP PLS” app.

### General Features

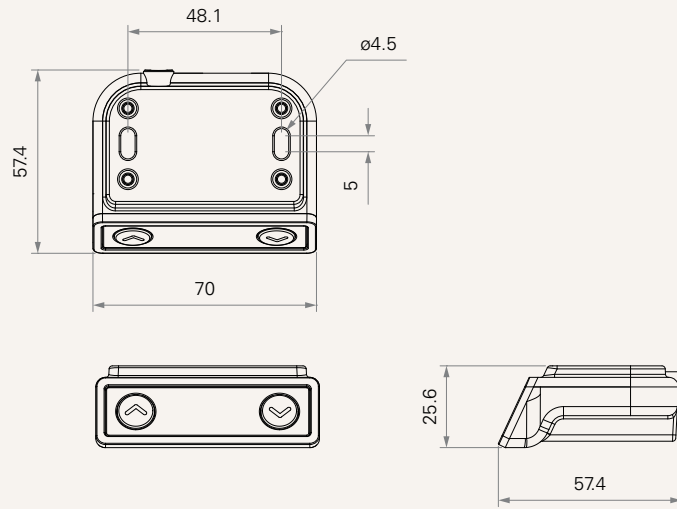
Max. available buttons	2
Color	Case: Black, Frame: Silver, customized
Options	Frame color, back light
Simple control for height-adjustable desks	
Compatible with the TWD1 (Bluetooth adapter)*	
Mounted to the desk front side	

### Note

<sup>1</sup> With TWD1, it can control the desk height remotely via the “STAND UP PLS” app.

**Drawing**

Standard Dimensions  
(mm)



<b>Connector</b>	1 = RJ 10P, 180° 6 = RJ 10P flat, 180°, for Ergo TC	7 = RJ 10P flat, 90°, for TC22	
<b>Color</b>	1 = Black		
<b>Frame Color</b>	1 = Silver: Pantone 877 C 2 = Black: Pantone 10399 C 3 = Gold: Pantone 8003 C	4 = Gray: Pantone 8403 C 5 = Blue: Pantone 8184 C 6 = Green: Pantone 8743 C	7 = Orange: Pantone 8922 C 8 = Red: Pantone 8862 C 9 = Matte black
<b>Logo (Print)</b>	1 = Without	2 = TiMOTION	
<b>Back Light</b>	0 = Without	1 = With, white	
<b>Unit</b>	0 = Without		
<b>Cable Length (mm)</b>	1 = Straight, 1000	2 = Straight, 2000	
<b>Anti-Pulling Tube</b>	0 = Without	1 = With	

### Terms of Use

The user is responsible for determining the suitability of TiMOTION products for a specific application. TiMOTION products are subject to change without prior notice.