

# TDH8P

series



---

## Product Segments

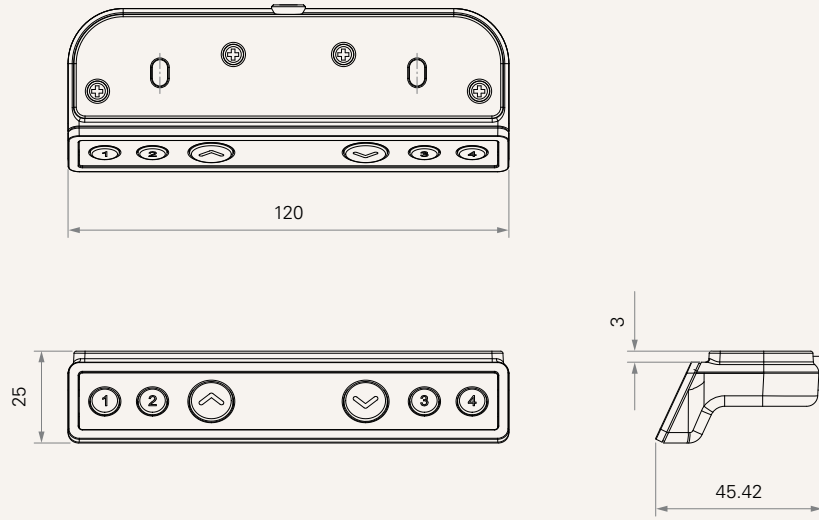
- **Ergo Motion**

## General Features

Maximum available buttons            6  
Options                                      Frame color, back light  
3-digit display shows the height of the desk  
Memory functionality (4 settings)  
Mounted to the desk front side  
Especially designed for adjustable height desk application

**Drawing**

Standard Dimensions  
(mm)



<b>Connector</b>	1 = RJ 10P, 180° 6 = RJ 10P flat, 180°, for Ergo TC	7 = RJ 10P flat, 90°, for TC22	
<b>Case Color</b>	1 = Black		
<b>Frame Color</b>	1 = Silver: Pantone 877 C 2 = Black: Pantone 10399 C 3 = Gold: Pantone 8003 C	4 = Gray: Pantone 8403 C 5 = Blue: Pantone 8184 C 6 = Green: Pantone 8743 C	7 = Orange: Pantone 8922 C 8 = Red: Pantone 8862 C 9 = Matte black
<b>Logo (Print)</b>	1 = Without	2 = TiMOTION	
<b>Back Light</b>	0 = Without	1 = With, white	
<b>Unit</b>	1 = Metric system (cm)	2 = Imperial system (inch)	
<b>Cable Length (mm)</b>	1 = Straight, 1000	2 = Straight, 2000	
<b>Anti-pulling Tube</b>	0 = Without	1 = With	

### Terms of Use

The user is responsible for determining the suitability of TiMOTION products for a specific application. TiMOTION products are subject to change without prior notice.