

TFH15P

series



Product Segments

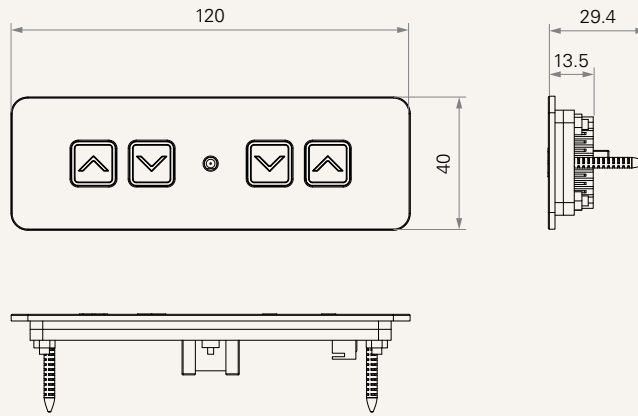
- **Comfort Motion**

General Features

Max. buttons 4
Metallic finish
3.5mm charging port for the TBB

Drawing

Standard Dimensions
(mm)



TFH15P

Version: 20200416-D

Plug	2 = DIN 8P, 90°	4 = DIN 8P, 180°	5 = RJ 10P, 90°	6 = RJ 10P, 180°
Cable Length (mm)	4 = Straight, 1000			
Charging Function	0 = Without	1 = With		
Button Definition	Note: please contact TiMOTION before making an order			
Cable & Mounting Bracket Color	1 = Black	2 = Pantone 428C		
Mounting Bracket	0 = Without	1 = With		
MCU	0 = Without	1 = With		
Control Box Type	0 = Without MCU Control Box	1 = With MCU control box	2 = With MCU control box (Power saving)	
Communication Type	2 = Switch type	4 = Duel-direction scan type	6 = T-BUS	

Terms of Use

The user is responsible for determining the suitability of TiMOTION products for a specific application. TiMOTION products are subject to change without prior notice.