

TMH15

series



Product Segments

- **Care Motion**

The TMH15 is a newly designed hand control particularly for elderly people. With big and soft buttons, the TMH15 is easy to operate. This hand control offers features including a backup light and safety lock.

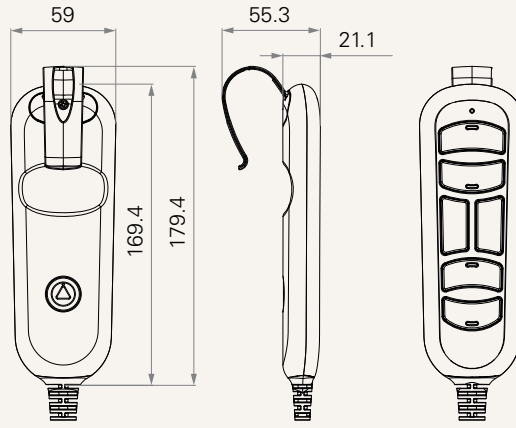
General Features

Connected actuators	1~3
Maximum available buttons	6
Color	White, grey
IP rating	Up to IP66
Option	Backlight, safety key, hook

TMH15
Series

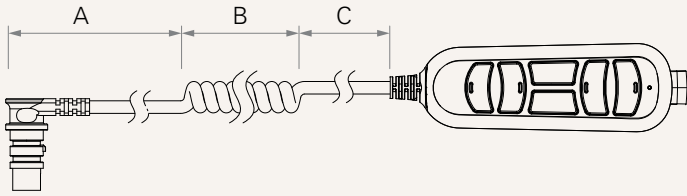
Drawing

Standard Dimensions
(mm)



MCU	0 = Without	1 = With	
Control Box Type	0 = Without MCU		
PCBA	1 = General	2 = Power saving function	
Button Definition	See appendix* Note: please contact TiMOTION before making an order		
Backlight	0 = Without	1 = With	
Safety Key	1 = With		
Plug	4 = DIN 8P	5 = RJ 10P	
Plug Angle	1 = 90°	2 = 180°	
Cable Length (mm)	1~6 = 1~6 See page 4		
Color	2 = Grey (Pantone 428C)	3 = White (White S)	
Hook	1 = Standard		
IP Rating	1 = Without	2 = IP54	3 = IP66

Cable Length



Cable Section (mm)

CODE	A	B	C
1	1000	300	200
2	1200	300	300
3	1400	300	400
4	2400	0	0
5	100	600	100
6	1000	200	200

Terms of Use

The user is responsible for determining the suitability of TiMOTION products for a specific application. TiMOTION products are subject to change without prior notice.