

TMH19

series



Product Segments

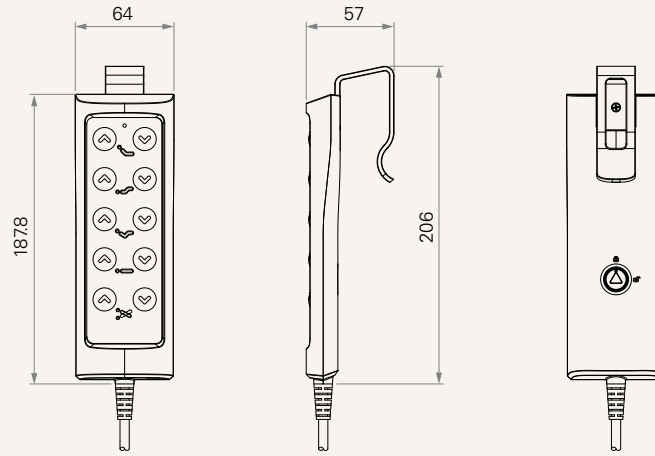
- **Care Motion**

General Features

Connected actuators	1~5
Maximum available buttons	10
Outer cover color	Grey
IP rating	Up to IP66
Options	Safety key, hook

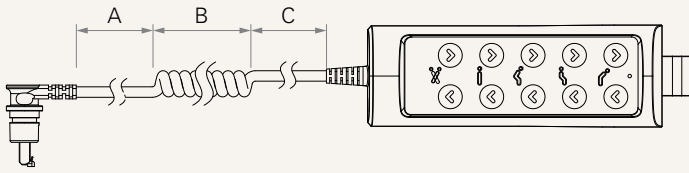
Drawing

Standard Dimensions
(mm)



MCU	0 = Without		
TC Communication	0 = Without MCU	1 = With MCU control box	
Communication Type	2 = Switch type	4 = Bi-directional Scan	
PCBA	1 = Standard	2 = Power saving	
Number of Actuator	1 = 1 2 = 2	3 = 3 4 = 4	5 = 5
Button Definition	XX = XX Note: please contact TiMOTION before making an order		
Back Light	0 = Without		
Safety Lock	0 = Without	1 = With	
Plug Type	4 = DIN 8P	5 = RJ 10P	
Plug Angle	1 = 90°	2 = 180°	
Cable Length (mm)	1~6 = 1~6 See page 4		
Outer Cover Color	2 = Pantone 428C		
Hook	0 = Without	5 = Standard	
IP Rating	1 = Without	2 = IP54	3 = IP66

Cable Length



Cable Section (mm)

CODE	A	B	C
1	1000	300	200
2	1200	300	300
3	1400	300	400
4	2400	0	0
5	100	600	100
6	1000	200	200

Terms of Use

The user is responsible for determining the suitability of TiMOTION products for a specific application. TiMOTION products are subject to change without prior notice.