

# TMH21

series



---

## Product Segments

- **Care Motion**

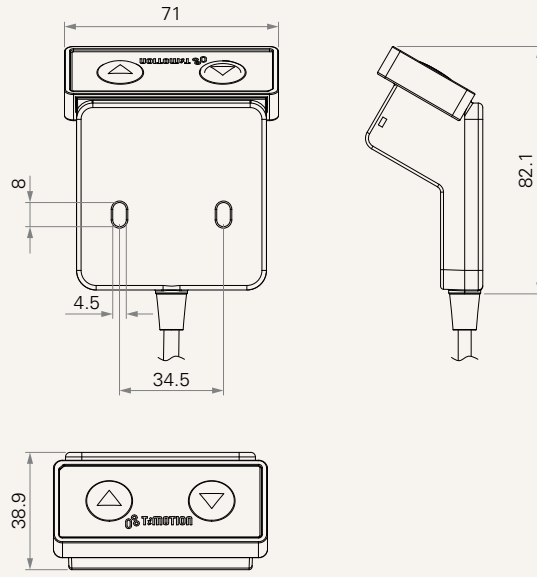
---

## General Features

Maximum available buttons	2
Color	Black, grey, white
IP rating	Up to IP66W
Design for the diagnose desk and medical equipment applications	

**Drawing**

Standard Dimensions  
(mm)



<b>MCU</b>	0 = Without		
<b>Communication Type</b>	1 = Direct cut		
<b>Number of Actuator</b>	1 = 1		
<b>Button Definition</b>	See appendix* Note: please contact TiMOTION before making an order		
<b>Button Icon</b>	1 = $\triangle$ $\nabla$		
<b>Backlight</b>	1 = With		
<b>Plug</b>	3 = Long DIN 5P	4 = DIN 8P	
<b>Plug Angle</b>	1 = 90°	2 = 180°	
<b>Cable Length (mm)</b>	1 = Straight, 1000	2 = Straight, 1500	3 = Straight, 2000
<b>Color</b>	1 = Black 2 = Pantone 428C	3 = white S	
<b>IP Rating</b>	2 = IP54	3 = IP66	4 = IP66W

### Terms of Use

The user is responsible for determining the suitability of TiMOTION products for a specific application. TiMOTION products are subject to change without prior notice.