

TSB1

series



Product Segments

- **Industrial Motion**

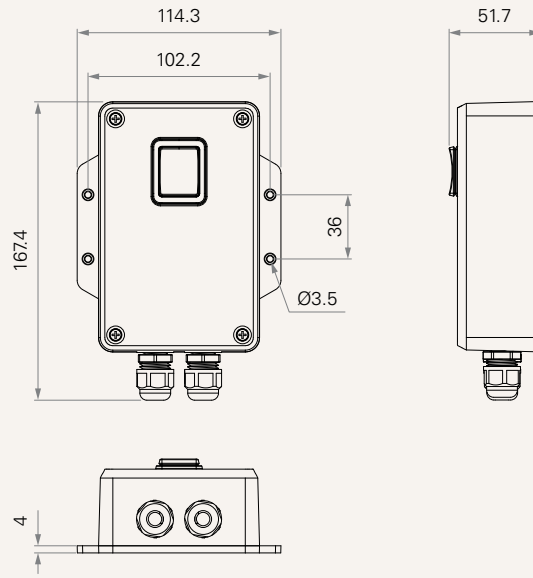
The TSB1 is a switch box specifically designed for industrial applications. Its rocker switch retracts or extends an actuator with ease. This switch box is made with industrial grade plastic and has an IP rating up to IP69K.

General Features

Color	Black
IP rating	IP69K

Drawing

Standard Dimensions
(mm)



TSB1 Ordering Key

TSB1

Version: 20200921-B

Color	1 = Black cover+blue button silicone cover, standard	3 = Black cover+black button silicone cover		
Switch Type	S = SPDT switch, with 7 wiring terminals D = DPDT switch, with 4 wiring terminals	M = SPDT switch, with 8 wiring terminals, MA1 AC switch		
Connecting Cable Length (mm)	0 = Without cable			
IP Rating	0 = Without	1 = IP54	2 = IP66	3 = IP69K

Terms of Use

The user is responsible for determining the suitability of TiMOTION products for a specific application. TiMOTION products are subject to change without prior notice.