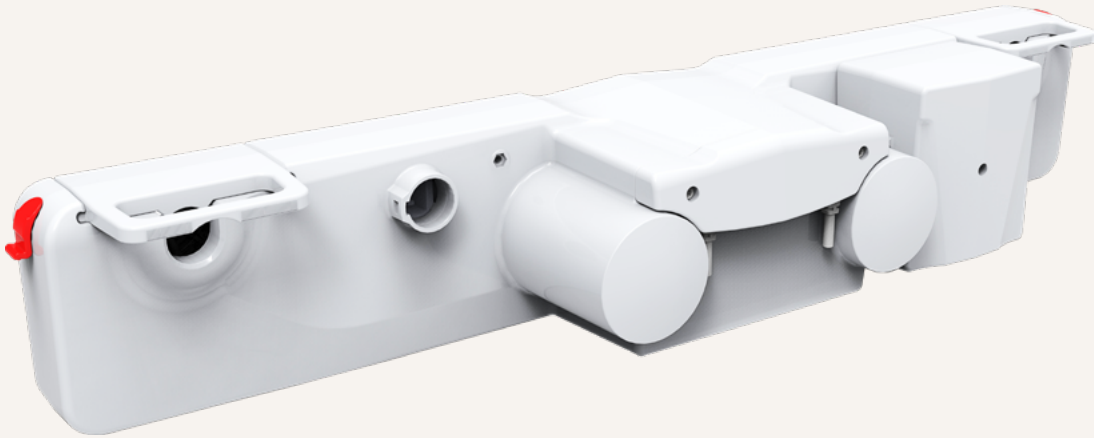


TT1

series



Product Segments

- **Care Motion**

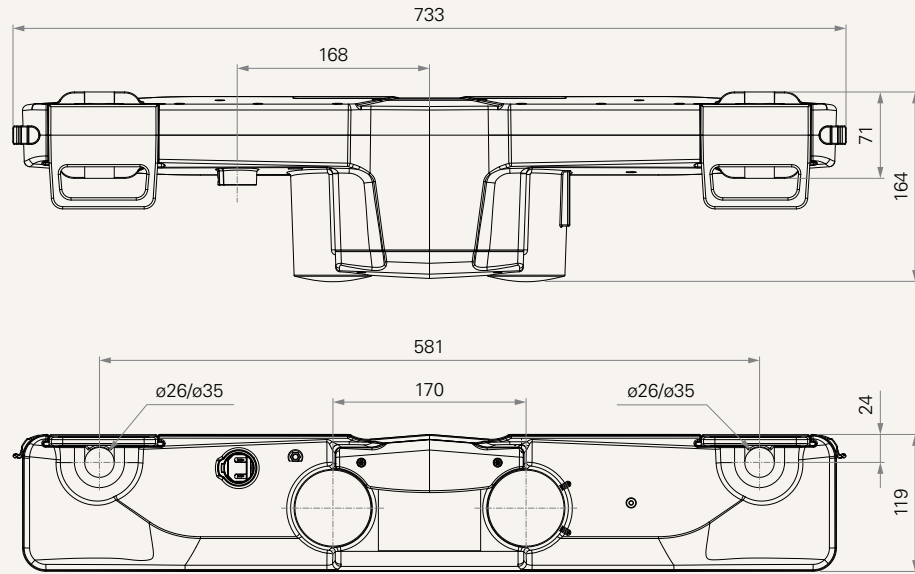
TiMOTION's economical TT1 series twin spindle actuator is specifically designed for home care and patient care facility beds. The TT1 electrical controls come standard with a range of voltages for use in multiple countries. It is also equipped with a SMPS transformer and has less than 0.5W of standby power consumption. A sophisticated housing design, with reliable mechanical stability, provides an alternative motor solution for various medical beds.

General Features

Max. load	6,000N (push)
Max. speed at max. load	4.6mm/s
Max. speed at no load	6.8mm/s
Dimension between shaft	581mm
Certificate	IEC60601-1-2
Stroke	87mm for backrest; 69mm for footrest
Voltage	100V AC, 100~240V AC
Color	Grey
Suitable for home care and patient care facility beds	

Drawing

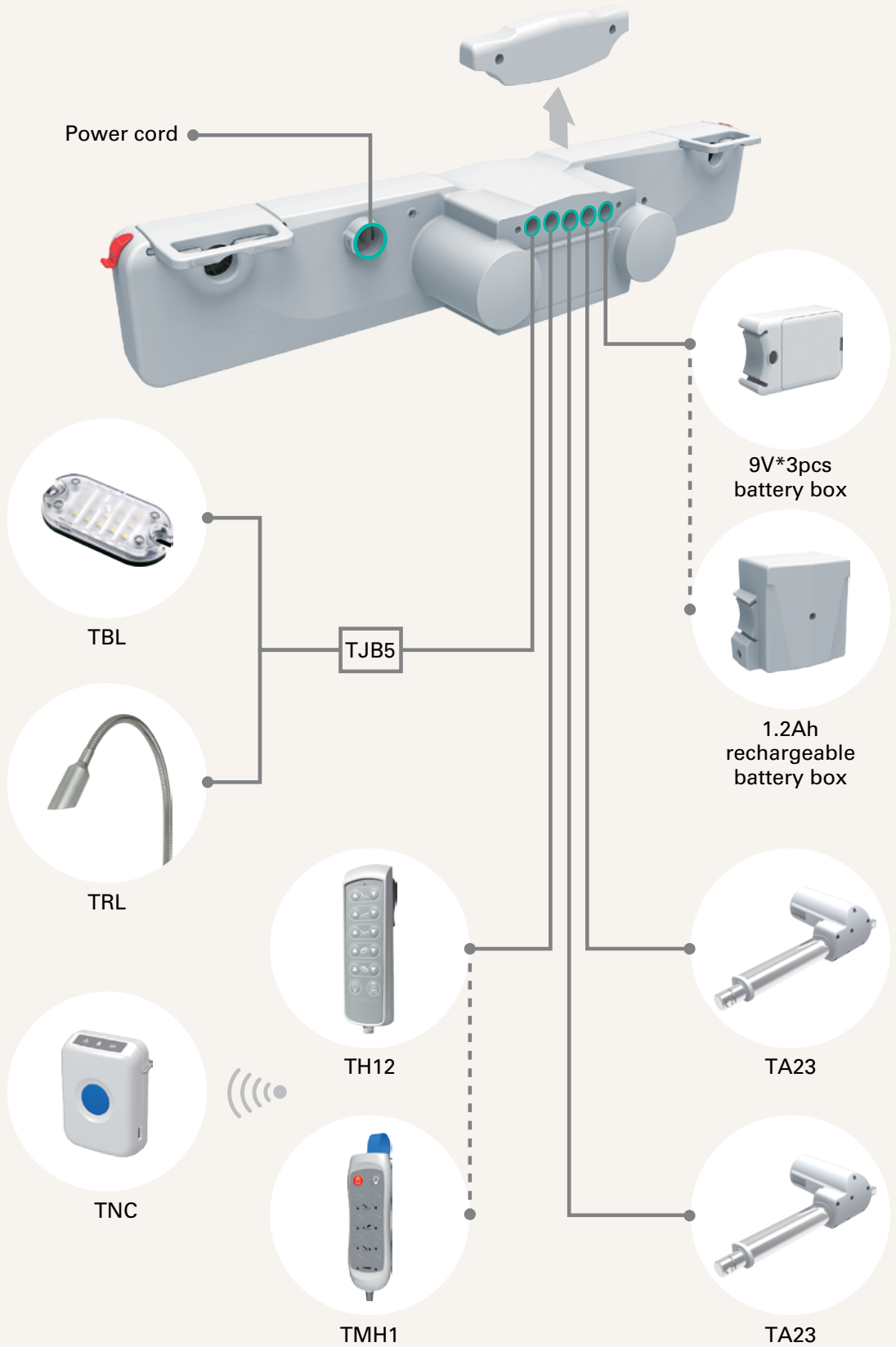
Standard Dimensions
(mm)



Load and Speed

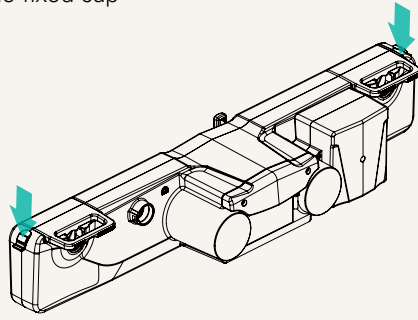
CODE	Load (N)		Typical Current at Rated Load (A)	Typical Speed (mm/s)	
	Push	Pull		No Load 32V DC	With Load 24V DC
Motor Speed (2600RPM, Duty Cycle 10%)					
D	6000	0	3.5	5.2	3.5
Motor Speed (3400RPM, Duty Cycle 10%)					
B	6000	0	3.5	6.8	4.6

Connections

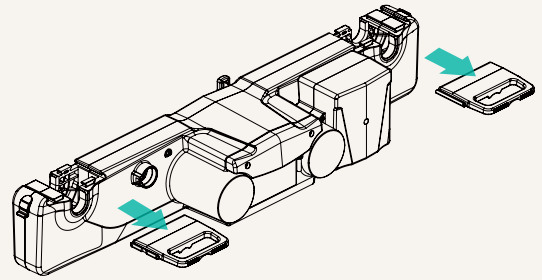


Installation Guide

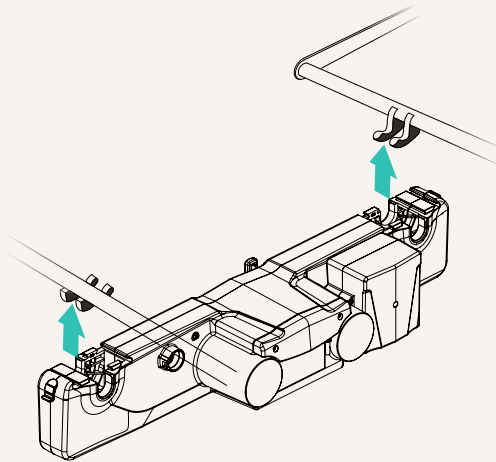
1 Unlock the safety lock and remove the fixed cap



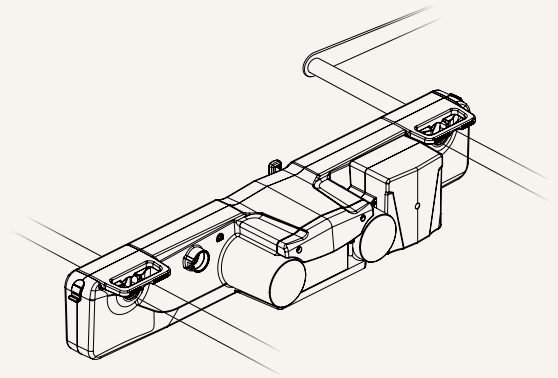
2 Remove the cover



3 Install TT1 to the frame



4 Reinstall the cover



Voltage	1 = 100V AC	4 = 100~240V AC	
Motor	2 = 24V		
Load and Speed	See page 2		
Plug	1 = EU 2 = US	3 = AU 4 = UK	5 = JP
Axle Dimension (mm)	1 = Ø26	2 = Ø35	
Stroke (mm)	1 = Back rest 87, leg rest 69		
Color	2 = Pantone 428C		
IP Rating	1 = Without	2 = IPX6	
Quick Release	0 = Without		
Output Signal	0 = Without		
Extra Ports for Motors	0 = 0	1 = 1	2 = 2
Extra Ports for Handsets	1 = 1	2 = 2	
Cable Length (mm)	2 = Straight, 4000		
Grounding	0 = Without	1 = With	
Transformer	2 = SMPS (2.5A)	4 = Toroidal (4A)	5 = Toroidal (5A)
Back-up Battery	0 = Without	1 = 9V*3pcs battery box	2 = 1.2Ah rechargeable battery box

Terms of Use

The user is responsible for determining the suitability of TiMOTION products for a specific application. TiMOTION products are subject to change without prior notice.