

# TEK02

## series

### Product Segments

#### • Ergo Motion

#### General Features

Max. load	120kg or 150kg*
Constant speed	3-Stage Column: 40mm/s 2-Stage Column: 33mm/s
Frame orientation	L-Shape
Weight of package	62kg*
Standby power	< 0.1W
Accessories	USB Chargers, TFA1/3 Anti-Collision Sensor, TCS1 Wireless Chargers, TWC

Multiple column and control options

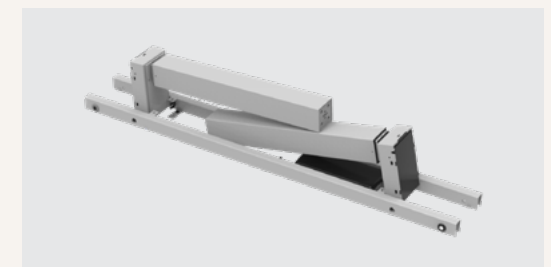
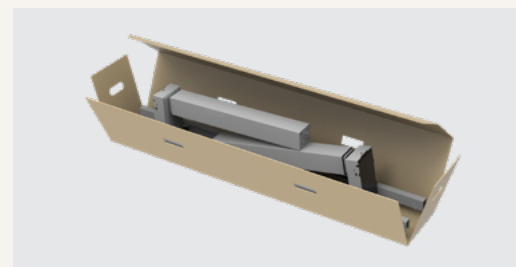
High strength and stability – Steel construction

Modular design -Easily change the TEK01 rectangular desk frame into the L shaped desk

\*It varies upon the selection of components.

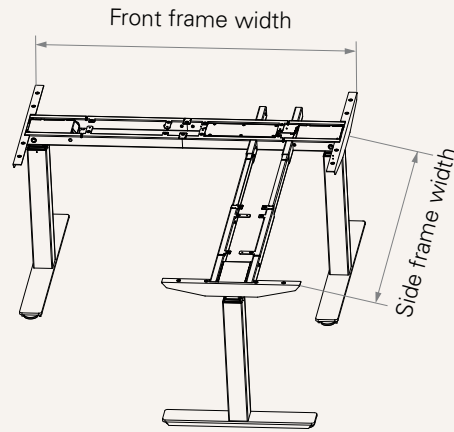
#### Color (RAL Classic)

- RAL9005
- RAL9006
- RAL9016
- RAL9022
- RAL7021
- RAL7024

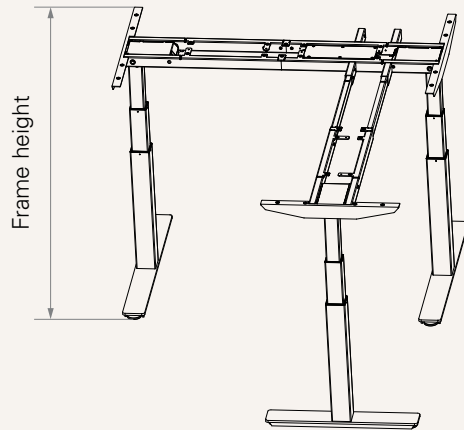


**Drawing**

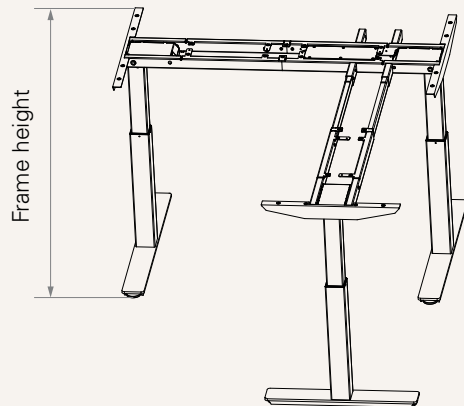
Dimensions



• 3-Stage



• 2-Stage

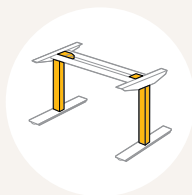


Position & Frame Type	Frame dimensions (mm)	Recommended work surface dimensions (mm)	
	Width	Width	Depth
Front	1165~1965	1200~2000	700~1000
Side - Long	1165~1570	-	-
Side - Short	1045~1370	-	-

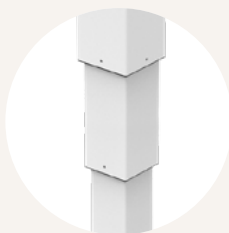
Column Type	Frame height (mm)	Stroke (mm)
3-Stage	630~1280	650
3-Stage (M)	600~1260	660
3-Stage (S)	560~1220	660
2-Stage	680~1180	500

TL Model

• 3-Stage



TL4  
Square  
70 x 70 mm



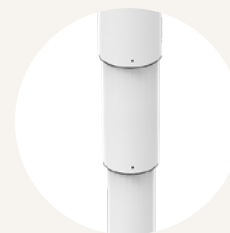
TL7  
Square  
70 x 70 mm



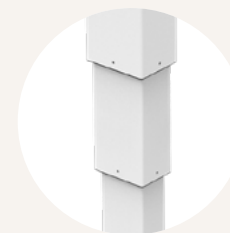
TL9  
Round  
ø70 mm



TL10  
Rectangular  
80 x 60 mm



TL11  
Round  
ø70 mm



TL12  
Rectangular  
80 x 60 mm

• 2-Stage



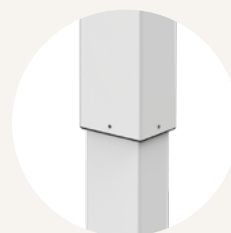
TL13  
Square  
70 x 70 mm



TL14  
Round  
ø70 mm



TL15  
Rectangular  
80 x 60 mm



TL26  
Rectangular  
80 x 60 mm



TL28  
Square  
70 x 70 mm

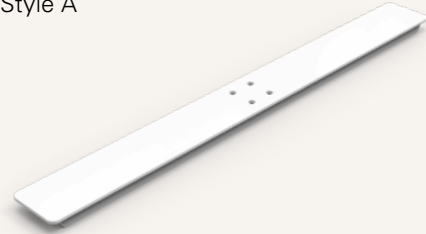


TL29  
Round  
ø70 mm

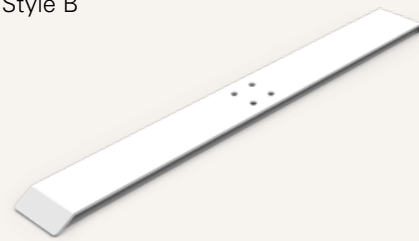
Foot (mm)



Style A



Style B



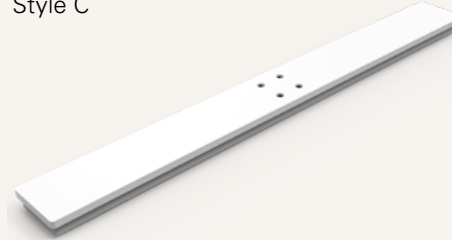
Style A, C (for C leg)



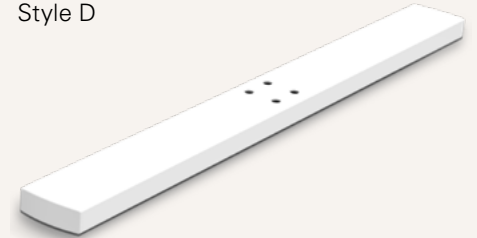
Style B, C (for C leg)



Style C



Style D



Style E



Style F



Foot (mm)



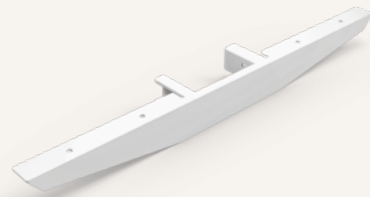
Code	Style	Thickness (mm)	Length (mm)
0	Without	-	-
1	A	8	750
2	A	5	750
3	B	5	750
4	B	8	750
6	C	Aluminum extrusion	750
7	D	Tube	750
8	A	5	550
9	A	5	680
C	A	8	550
D	C	Aluminum extrusion	550
F	B	5	550
G	B	5	680
H	B	8	550
L	D	Tube	550
M	A	5	600

Code	Style	Thickness (mm)	Length (mm)
N	A	8	680
P	C	Aluminum extrusion	600
V	E	5	750
Z	F	Alu slanted	680
C-leg			
5	A	8	750
E	A	8	680
J	B	8	680
K	B	8	750
Q	A	5	580
R	A	5	600
S	A	5	750
T	B	5	580
U	A	8	550
W	B	5	680
Y	B	5	750

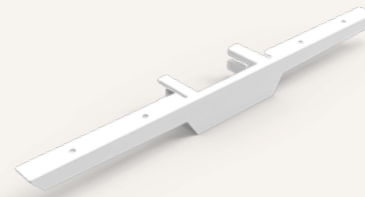
End Pipes



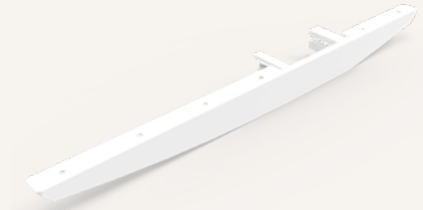
Style A  
(for fixed tabletop)



Style B  
(for fixed tabletop)



Style C  
(for C leg, fixed tabletop)



Hand Control



1 = TH37



2 = TFH8



3 = TDH1



4 = TDH2



5 = TDH3



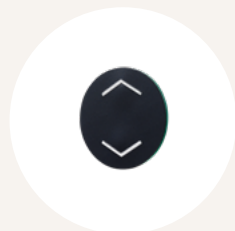
6 = TDH4



7 = TDH5



8 = TDH6



9 = TFH13



B = TH14



C = TFH21



D = TDH8P



E = TDH8



F = TDH8D



G = TDH11P



H = TDH12P



K = TDH16



L = TDH6PR

**Hand Control**



M = TDH5PR



N = TDH13P



P = TDH15



Q = TDH18P



R = TDH17



S = TDH20P



T = TDH9P

**Accessories (optional)**



TCS1

TCS1 is a collision sensor based on t-touch technology which does not require any additional hardware upgrades.



TFA1

A charger with 2 USB ports. Can be mounted on the table top.



TFA3

A charger with 2 USB ports. Can be mounted to the desk front side.



TWC

Designed for wireless charging of mobile devices. Can be mounted on the table top.

<b>TL Model</b> <a href="#">See page 3</a>	004 = TL4 007 = TL7	009 = TL9 010 = TL10	011 = TL11 012 = TL12	013 = TL13 014 = TL14	015 = TL15 026 = TL26	028 = TL28 029 = TL29	
<b>Foot F1 (mm)</b>	<a href="#">See page 4-5</a>						
<b>Foot F2 (mm)</b>	<a href="#">See page 4-5</a>						
<b>Foot F3 (mm)</b>	<a href="#">See page 4-5</a>						
<b>Color</b>	1 = Black (RAL 9005) 2 = Grey (RAL 9006)		3 = White (RAL 9016) 4 = Special grey (RAL 9022)		6 = Matte black (RAL7021) 7 = Graphite grey (RAL7024)		
<b>TC Model</b>	0 = Without		1 = TC16		2 = TC16P		
<b>Hand Control</b> <a href="#">See page 6-7</a>	0 = Without	4 = TDH2	8 = TDH6	D = TDH8P	H = TDH12P	N = TDH13P	S = TDH20P
	1 = TH37	5 = TDH3	9 = TFH13	E = TDH8	K = TDH16	P = TDH15	T = TDH9P
	2 = TFH8	6 = TDH4	B = TH14	F = TDH8D	L = TDH6PR	Q = TDH18P	
	3 = TDH1	7 = TDH5	C = TFH21	G = TDH11P	M = TDH5PR	R = TDH17	
<b>End Pipe E1 &amp; E2 (mm)</b> <a href="#">See page 5</a>	1 = Style A, fixation holes, E1&E2: 600, Standard				5 = Style A, fixation holes, E1&E2: 550		
	2 = Style A, fixation holes, E1&E2: 500				6 = Style C, fixation holes, E1&E2: 700, for C-leg		
	3 = Style B, fixation holes, E1&E2: 600				7 = Style C, fixation holes, E1&E2: 580, for C-leg		
	4 = Style B, fixation holes, E1&E2: 500						
<b>End Pipe E3 (mm)</b> <a href="#">See page 5</a>	1 = Style A, fixation holes, E3: 600				5 = Style A, fixation holes, E3: 550		
	2 = Style A, fixation holes, E3: 500, Standard				6 = Style C, fixation holes, E3: 700, for C-leg		
	3 = Style B, fixation holes, E3: 600				7 = Style C, fixation holes, E1&E2: 580, for C-leg		
	4 = Style B, fixation holes, E3: 500						
<b>Front Desk Frame (mm)</b>	1 = Normal, outer pipe 25*40, W: 1165-1965				6 = Medium, outer pipe 25*40, W: 1050-1850		
<b>Side Desk Frame (mm)</b>	1 = With Normal front frame, Long, L: 1165-1570 (with connection pipe L:1010)				3 = With Medium front frame, Long, L: 1050-1450 (with connection pipe L: 896)		
	2 = With Normal front frame, Short, L: 1045-1370 (with connection pipe L: 820)				4 = With Medium front frame, Short, L: 890-1240 (with connection pipe L: 720)		
<b>Assembly Manual</b>	0 = Without				3 = Chinese, No logo, Black / White printing		
	C = Chinese, TiMOTION logo, Black / White printing				4 = English, No logo, Black / White printing		
	E = English, TiMOTION logo, Black / White printing				5 = Chinese, No logo, Colour printing		
	1 = Chinese, TiMOTION logo, Colour printing				6 = English, No logo, Colour printing		
	2 = English, TiMOTION logo, Colour printing						



# MP - TEK02 Ordering Key

## TEK02

Version: 20200707-H

<b>TL Model</b> <a href="#">See page 3</a>	004 = TL4 007 = TL7	009 = TL9 010 = TL10	011 = TL11 012 = TL12	013 = TL13 014 = TL14	015 = TL15 026 = TL26	028 = TL28 029 = TL29	
<b>Foot F3 (mm)</b>	<a href="#">See page 4-5</a>						
<b>Color</b>	1 = Black (RAL 9005) 2 = Grey (RAL 9006)		3 = White (RAL 9016) 4 = Special grey (RAL 9022)		6 = Matte black (RAL7021) 7 = Graphite grey (RAL7024)		
<b>TC Model</b>	0 = Without		1 = TC16		2 = TC16P		
<b>Hand Control</b> <a href="#">See page 6-7</a>	0 = Without	4 = TDH2	8 = TDH6	D = TDH8P	H = TDH12P	N = TDH13P	S = TDH20P
	1 = TH37	5 = TDH3	9 = TFH13	E = TDH8	K = TDH16	P = TDH15	T = TDH9P
	2 = TFH8	6 = TDH4	B = TH14	F = TDH8D	L = TDH6PR	Q = TDH18P	
	3 = TDH1	7 = TDH5	C = TFH21	G = TDH11P	M = TDH5PR	R = TDH17	
<b>End Pipe E3 (mm)</b> <a href="#">See page 5</a>	1 = Style A, fixation holes, E3: 500, Standard 2 = Style A, fixation holes, E3: 600 3 = Style B, fixation holes, E3: 500 4 = Style B, fixation holes, E3: 600				5 = Style B, fixation holes, E3: 550 6 = Style C, fixation holes, E3: 700, for C-leg 7 = Style C, fixation holes, E1&E2: 580, for C-leg		
<b>Front Desk Frame (mm)</b>	0 = Without						
<b>Side Desk Frame (mm)</b>	1 = With Normal front frame, Long, L: 1165-1570 (with connection pipe L:1010) 2 = With Normal front frame, Short, L: 1045-1370 (with connection pipe L: 820)				3 = With Medium front frame, Long, L: 1050-1450 (with connection pipe L: 896) 4 = With Medium front frame, Short, L: 890-1240 (with connection pipe L: 720)		
<b>Assembly Manual</b>	0 = Without C = Chinese, TiMOTION logo, Black / White printing E = English, TiMOTION logo, Black / White printing 1 = Chinese, TiMOTION logo, Colour printing 2 = English, TiMOTION logo, Colour printing				3 = Chinese, No logo, Black / White printing 4 = English, No logo, Black / White printing 5 = Chinese, No logo, Colour printing 6 = English, No logo, Colour printing		

### Terms of Use

The user is responsible for determining the suitability of TiMOTION products for a specific application. TiMOTION products are subject to change without prior notice.