

TEK05

series

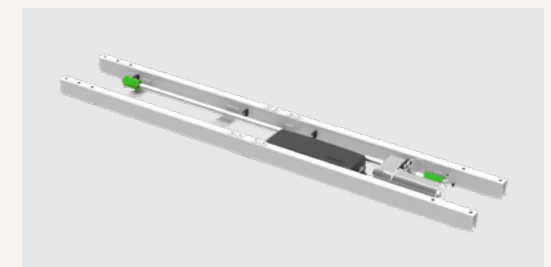
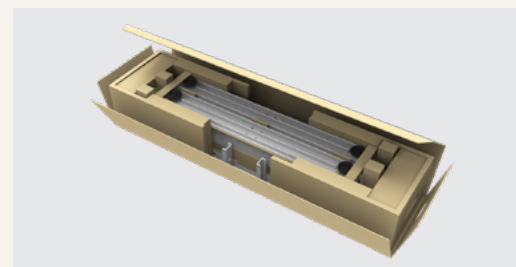
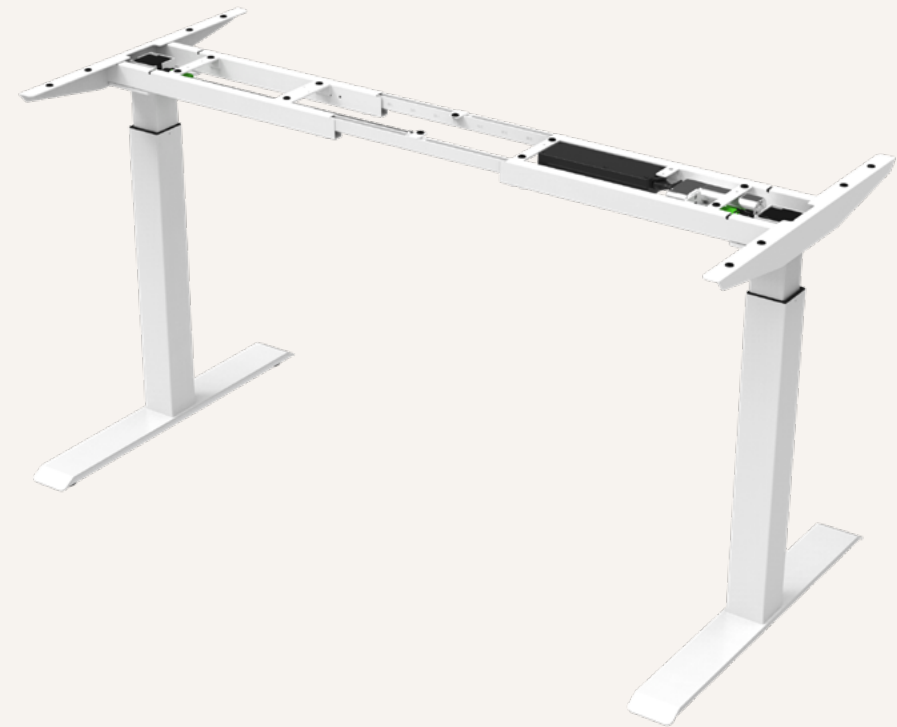
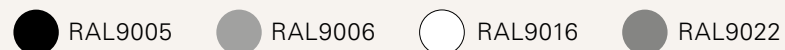
Product Segments

• Ergo Motion

General Features

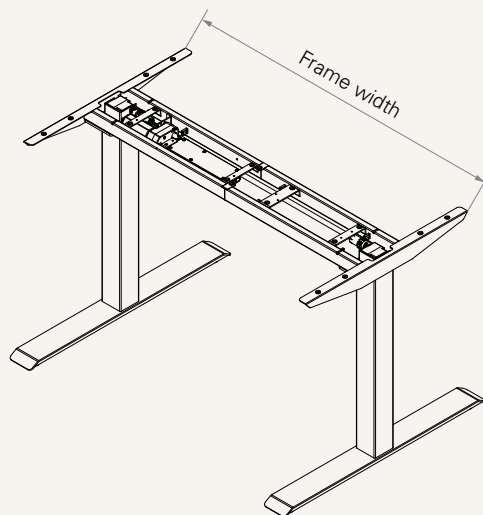
Frame Orientation	Rectangular
Maximum Load	90kg
Constant Speed (<80Kg)	2 Stage Column 33mm/s
Weight of TEK05 Package	31Kg*
	*The actual weight of package may vary due to customer's selection of components.
Accessories (optional)	Enhanced anti-collision feature with t-touch, TFA1/3, TWC
Low Standby Power	<0.1W
Multiple control options	
High strength and stability – Steel construction	
Semi-Preassembled – Motor and control box are mounted within the frame	

Color (RAL Classic)

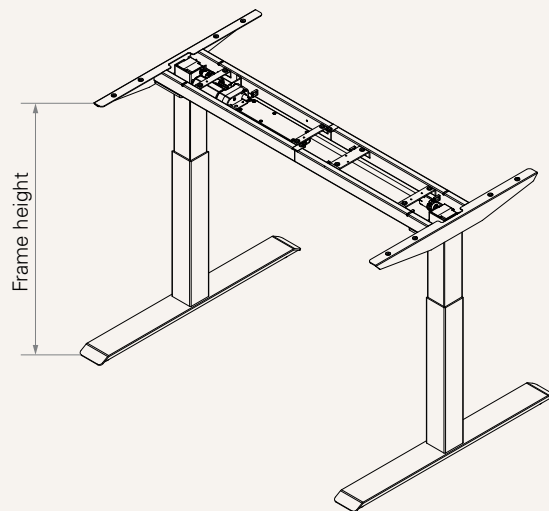


Drawing

Dimensions



• 2-Stage



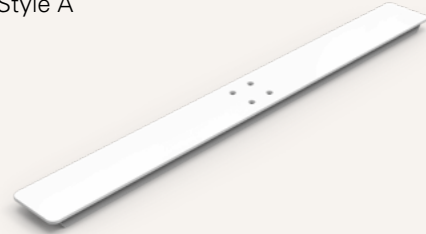
Frame Dimensions	Recommended Work Surface Dimensions	
Width (mm)	Width (mm)	Depth (mm)
1050~1600	1100~1700	700~1000

Column Type	Frame Height (mm)	Stroke (mm)
2-Stage	680~1180	500

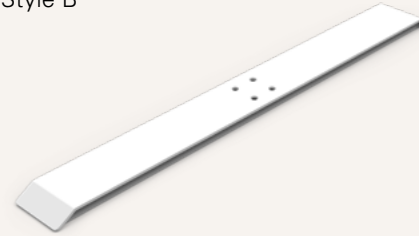
Foot (mm)



Style A



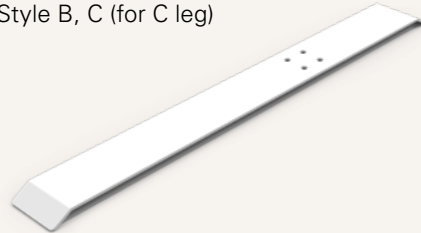
Style B



Style A, C (for C leg)



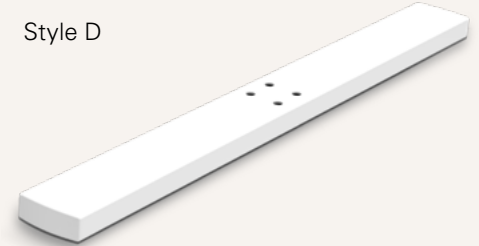
Style B, C (for C leg)



Style C



Style D



Style E



Foot (mm)

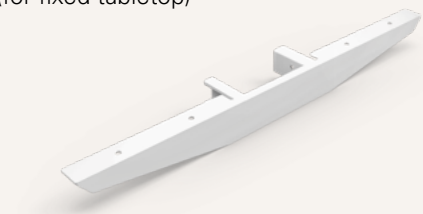


Code	Style	Thickness (mm)	Length (mm)	Code	Style	Thickness (mm)	Length (mm)
1	A	8	750	M	A	5	600
2	A	5	750	N	A	8	680
3	B	5	750	P	C	Aluminum extrusion	600
4	B	8	750	V	E	5	750
6	C	Aluminum extrusion	750	C-leg			
7	D	Tube	750	5	A	8	750
8	A	5	550	E	A	8	680
9	A	5	680	J	B	8	680
C	A	8	550	K	B	8	750
D	C	Aluminum extrusion	550	Q	A	5	580
F	B	5	550	R	A	5	600
G	B	5	680	S	A	5	750
H	B	8	550	T	B	5	580
L	D	Tube	550	U	A	8	550

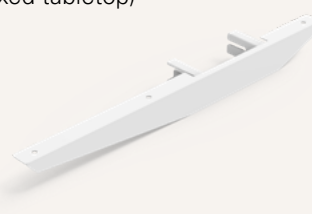
End Pipe



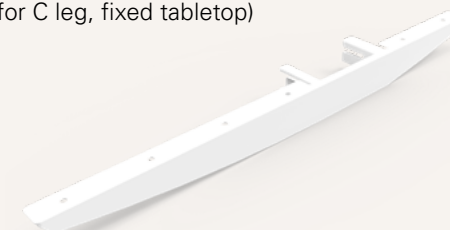
Style A
(for fixed tabletop)



Style C
(for C leg, fixed tabletop)

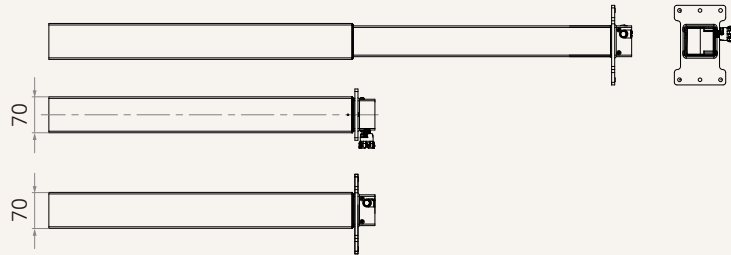


Style C
(for C leg, fixed tabletop)

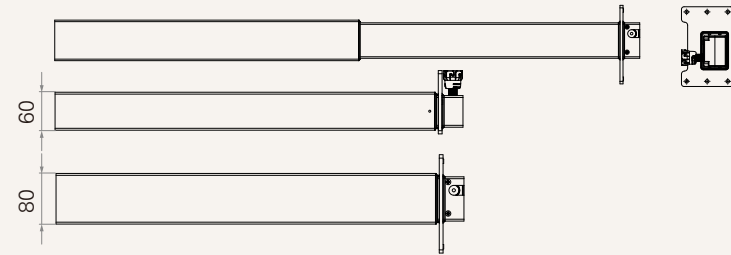


Column Shape

Square, 2 stages



Rectangular, 2 stages



Handset Model



1 = TH37



2 = TFH8



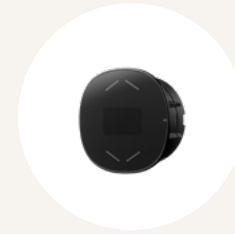
3 = TDH1



4 = TDH2



5 = TDH3



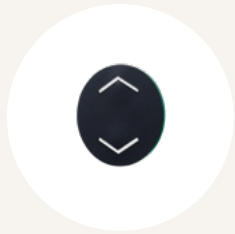
6 = TDH4



7 = TDH5



8 = TDH6



9 = TFH13



B = TH14



C = TFH21



D = TDH8P

Handset Model



E = TDH8



F = TDH8D



G = TDH11P



H = TDH12P



K = TDH16



L = TDH6PR



M = TDH5PR



N = TDH13P



P = TDH15



Q = TDH18P



R = TDH19P



S = TDH20P

Accessories (optional)



TCS1

TCS1 is a collision sensor based on t-touch technology which does not require any additional hardware upgrades.



TFA1

A charger with 2 USB ports. Can be mounted on the table top.



TFA3

A charger with 2 USB ports. Can be mounted to the desk front side.



TWC

Designed for wireless charging of mobile devices. Can be mounted on the table top.

Load and Speed	B = Load: 90Kg, Speed: 0-90Kg 33/mms						
Stroke & Retracted Length (mm)	Stroke: 500 Retracted length: 680						
Foot (mm)	See page 3-4						
Color	1 = Black (RAL 9005), wiper: black 2 = Grey (RAL9006), wiper: black 3 = White (RAL 9016), wiper: black	4 = Special grey (RAL 9022), wiper: black 6 = Grey (RAL9006), wiper: grey 7 = White (RAL 9016), wiper: white	8 = Special grey (RAL 9022), wiper: grey B = Matte black (RAL 7021), wiper: black C = Graphite grey (RAL7024), wiper: black	D = Matte black (RAL 7021), wiper: matte Black			
TC Model	1 = TC11	2 = TC11P					
Hand Control See page 5-6	0 = Without 1 = TH37 2 = TFH8 3 = TDH1	4 = TDH2 5 = TDH3 6 = TDH4 7 = TDH5	8 = TDH6 9 = TFH13 B = TH14 C = TFH21	D = TDH8P E = TDH8 F = TDH8D G = TDH11P	H = TDH12P K = TDH16 L = TDH6PR M = TDH5PR	N = TDH13P P = TDH15 Q = TDH18P R = TDH19P	S = TDH20P
End Pipe (mm) See page 4	1 = Style A, fixation holes, E1 & E2: 600, Standard 2 = Style C, fixation holes, E1 & E2: 580, for C-leg		3 = Style C, fixation holes, E1 & E2: 650, for C-leg 4 = Style C, fixation holes, E1 & E2: 700, for C-leg				
Desk Frame (mm)	1 = Adjustable frame, W: 1050-1600; U type connection pipe, standard 3 = Fixed frame 1160mm		4 = Fixed frame 1360mm 5 = Fixed frame 1560mm				
Column Shape See page 5	1 = Square, 2 stage, thickness 2.0mm, with wiper fixing holes at sides 2 = Rectangular, 2 stage, thickness 2.0mm, with wiper fixing holes at sides		3 = Square, 2 stage, thickness 1.5mm, without wiper fixing holes at sides				
Bracket	0 = Without 1 = Direction 1, standard bracket 2 = Direction 2, standard bracket	3 = Direction 3, standard bracket 4 = Direction 4, standard bracket 5 = Direction 1, triangle bracket	6 = Direction 2, triangle bracket 7 = Direction 3, triangle bracket 8 = Direction 4, triangle bracket				
Assembly Manual	0 = Without C = Chinese, TiMOTION logo, Black / White printing	E = English, TiMOTION logo, Black / White printing 1 = Chinese, TiMOTION logo, colour printing	2 = English, TiMOTION logo, colour printing 3 = Chinese, No logo, Black / White printing 4 = English, No logo, Black / White printing	5 = Chinese, No logo, colour printing 6 = English, No logo, colour printing			

Terms of Use

The user is responsible for determining the suitability of TiMOTION products for a specific application. TiMOTION products are subject to change without prior notice.