

# TFH30

series



---

## Product Segments

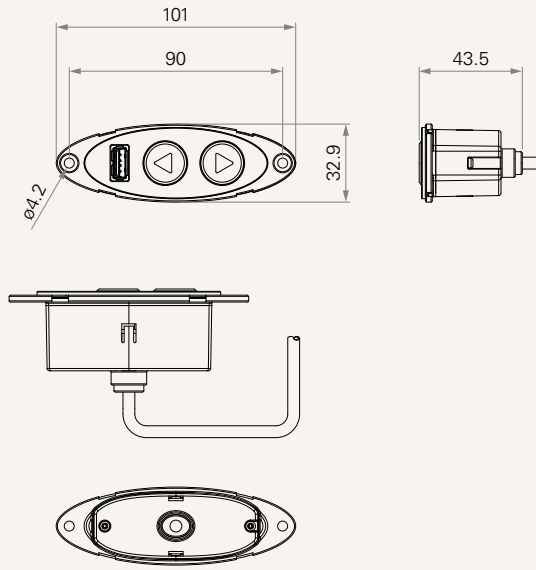
- **Comfort Motion**

## General Features

Maximum available buttons 2  
Color Black  
With USB charging socket  
Designed for relaxing bed or recliner applications

**Drawing**

Standard Dimensions  
(mm)



|                           |  |  |
|---------------------------|--|--|
| <b>MCU</b>                | 0 = Without                              |  |
| <b>Communication Type</b> | 1 = Direct cut                           |  |
| <b>Number of Actuator</b> | 1 = 1                                    |  |
| <b>Button Definition</b>  | 21 = XX                                  |  |
| <b>Button Icon</b>        | 2 = ← →                                  |  |
| <b>Charging Port</b>      | 1 = USB charging port                    |  |
| <b>Plug</b>               | 2 = Short DIN 5P                         | 3 = Long DIN 5P                          |
| <b>Plug Angle</b>         | 1 = 90°                                  | 2 = 180°                                 |
| <b>Cable Length (mm)</b>  | 1 = Straight, 1000<br>2 = Straight, 1500 | 3 = Straight, 2000<br>4 = Straight, 4000 |
| <b>Color</b>              | 1 = Black                                |  |
| <b>IP Rating</b>          | 1 = Without                              |  |

### Terms of Use

The user is responsible for determining the suitability of TiMOTION products for a specific application. TiMOTION products are subject to change without prior notice.