

TH17

series



Product Segments

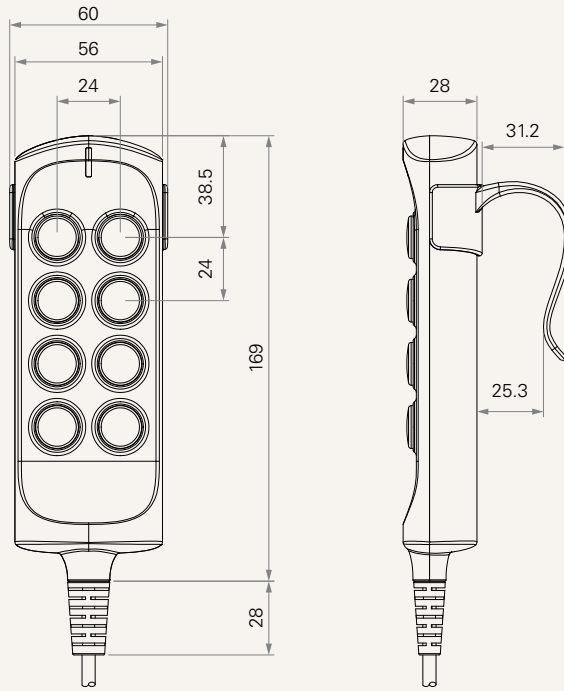
- **Comfort Motion**

General Features

Number of motors	1~3
Max. available buttons	8
Color	Black
Options	Safety key, hook
Rubber-made buttons	

Drawing

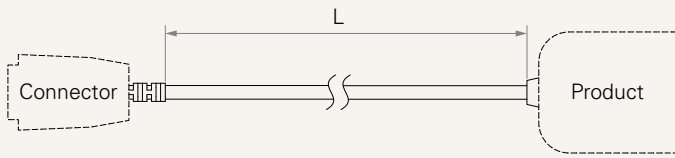
Standard Dimensions
(mm)



Number of Actuators	1 = 1	2 = 2	3 = 3
Plug	1 = DIN 5P, for TDC 2 = DIN 8P, for TC2 / TC3 / TC7 3 = Short 5P DIN, for TDC		4 = DIN 8P, 180°, for extension cable 5 = RJ 10P, 180°, for TC6 / TC9 / extension cable A = Customized
Color	1 = Black		
Safety Key	0 = Without	1 = With	
Hook Type	0 = Without	1 = Standard	
Key Definition	01~45 = See appendix* (need work with MCU option #0) AA = Customized Note: please contact TiMOTION before making an order		
Cable Length (mm)	1~2 = See appendix*		

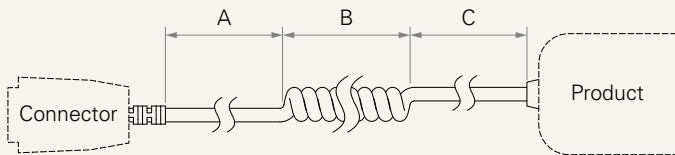
[See page 4](#)

Cable Length



Cable Section (mm)

CODE	A	B	C	L
1	-	-	-	1500
2	1000	200	200	-



Terms of Use

The user is responsible for determining the suitability of TiMOTION products for a specific application. TiMOTION products are subject to change without prior notice.