

TH19

series



Product Segments

- **Comfort Motion**

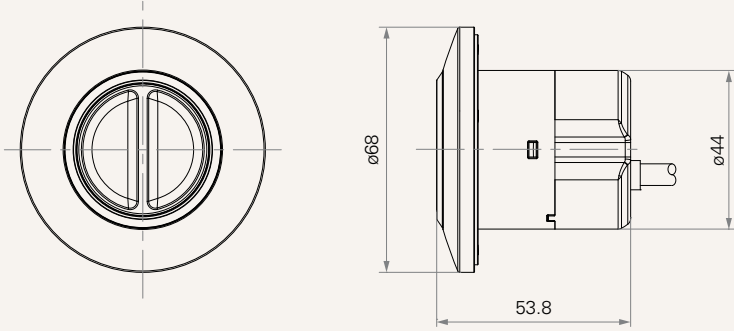
General Features

Max. available buttons	2
Color	Black, grey
Specially designed for single motor recliner	
Effortless operation with thermo-sensor buttons	
Embedded into the recliner	

TH19
Series

Drawing

Standard Dimensions
(mm)



Plug	1 = DIN 5P, for TDC 2 = DIN 8P, for TC2 / TC3 / TC7 4 = DIN 8P, 180°, for extension cable 5 = RJ 10P, 180°, for extension cable	6 = RJ 10P, 90°, for TC1 / TC6 / TC8 / TC9 / TC10 / TC11 / TC14 A = Customized	
Color	1 = Black	2 = Pantone 428C	
Cable Length (mm)	1 = Straight, 1500	2 = Straight, 2000	A = Customized

Terms of Use

The user is responsible for determining the suitability of TiMOTION products for a specific application. TiMOTION products are subject to change without prior notice.