

TH9

series



Product Segments

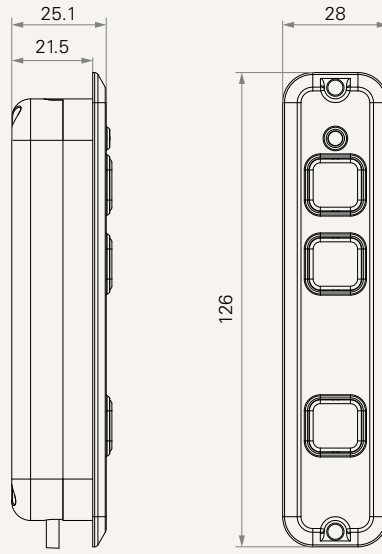
- **Comfort Motion**

General Features

Number of motors	1
Max. available buttons	3
Color	Black, grey
Embedded design	

Drawing

Standard Dimensions
(mm)



Plug	1 = DIN 5P, for TDC	5 = RJ 10P, 180°, for extension cable
	2 = DIN 8P, for TC2 / TC3 / TC7	6 = RJ 10P, 90°, for TC1 / TC6 / TC8 / TC9 / TC10 / TC14
	4 = DIN 8P, 180°, for extension cable	

Color	1 = Black	2 = Pantone 428C

Cable Length (mm)	1 = Straight, 1500	2 = Straight, 2000

Terms of Use

The user is responsible for determining the suitability of TiMOTION products for a specific application. TiMOTION products are subject to change without prior notice.