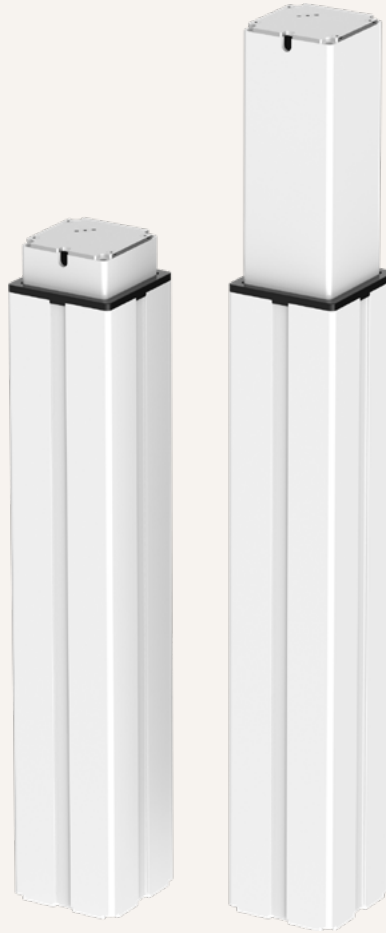


TL19

series



Product Segments

• Ergo Motion

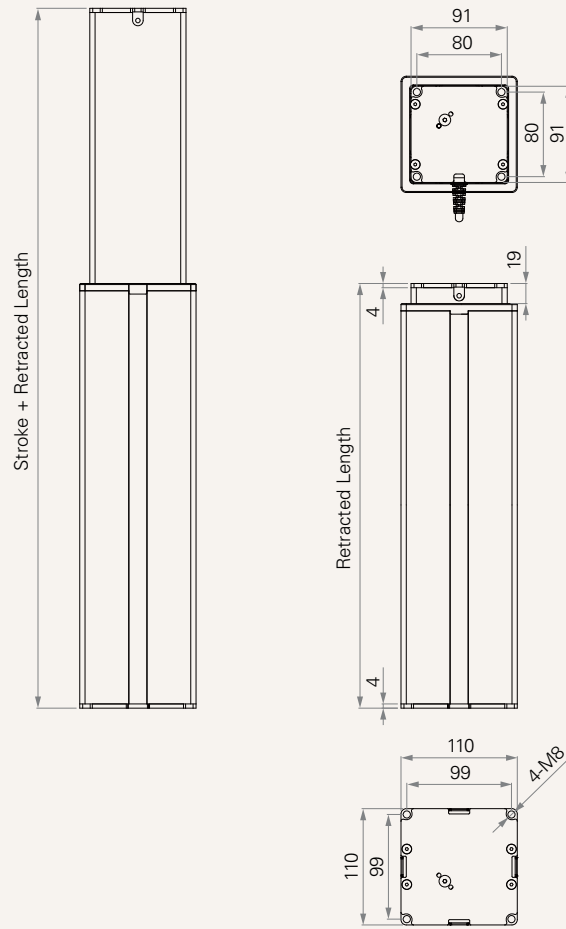
TiMOTION's TL19 series lifting columns are specifically designed for use in ergonomic desks and work tables. Using multiple TL series lifting columns with compatible TC series control boxes and TH / TDH series controls, work surfaces can be controlled quietly and smoothly with synchronous movement. All Ergo Motion TC series control boxes have a less than 0.1W standby power option that reduces power consumption. Our wide range of columns offers customers the solutions they require to satisfy their project requirements. The TL19 has a two stage telescopic outer tube that is designed for a narrow-bottom, wide-top square appearance.

General Features

| | |
|---|---|
| Maximum load | 800N in push |
| Maximum speed at full load | 27mm/s (with 800N in a push condition) |
| Minimum installation dimension | 645mm |
| Stroke | 500mm |
| Dimension of outer tube (L*W) | 110*110mm |
| Color | Black, white, grey, or special colors |
| Two stage outer tube with square appearance | |

Drawing

Standard Dimensions
(mm)



Load and Speed

| CODE | Load (N) | Self Locking Force (N) | Typical Current (A) | | Typical Speed (mm/s) | |
|------------------------------|----------|------------------------|---------------------|---------------------|----------------------|---------------------|
| | | | No Load 32V DC | With Load 24V DC | No Load 32V DC | With Load 24V DC |
| Motor Speed (5200RPM) | | | | | | |
| E | 800 | 800 | 2.5 | 5.5 | 47 | 27 |

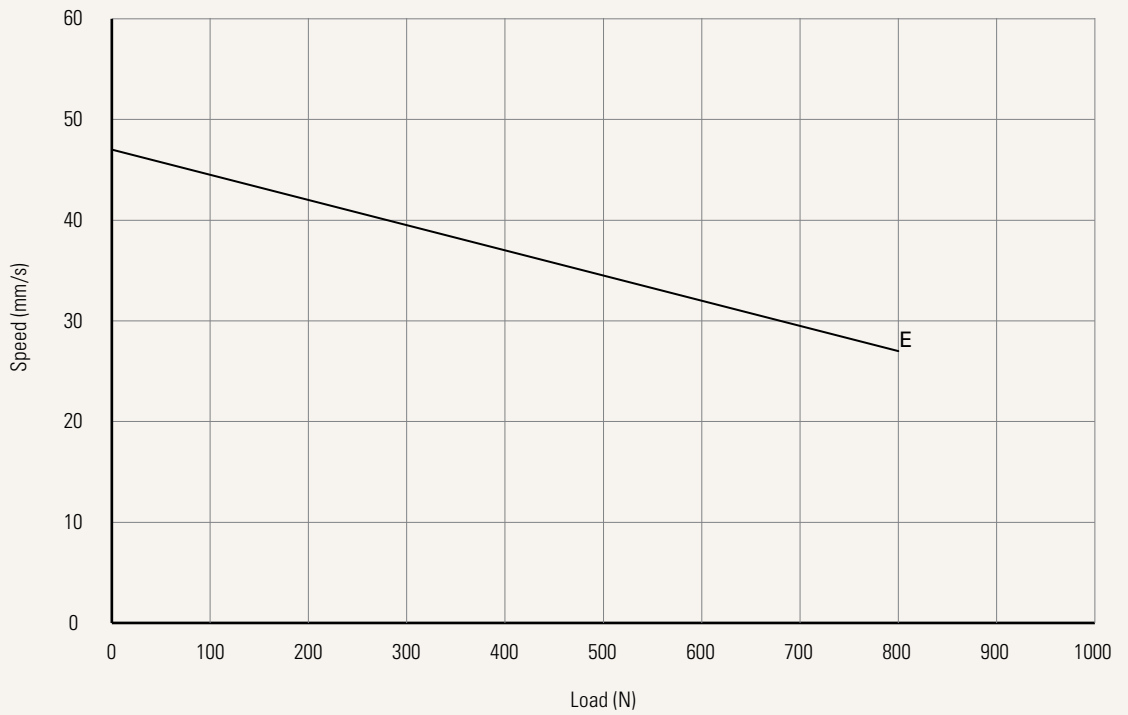
Note

- 1 Above self lock performance needs working with Timotion control system.
- 2 Parameters above are from tested average, please refer to approval drawing for final value.

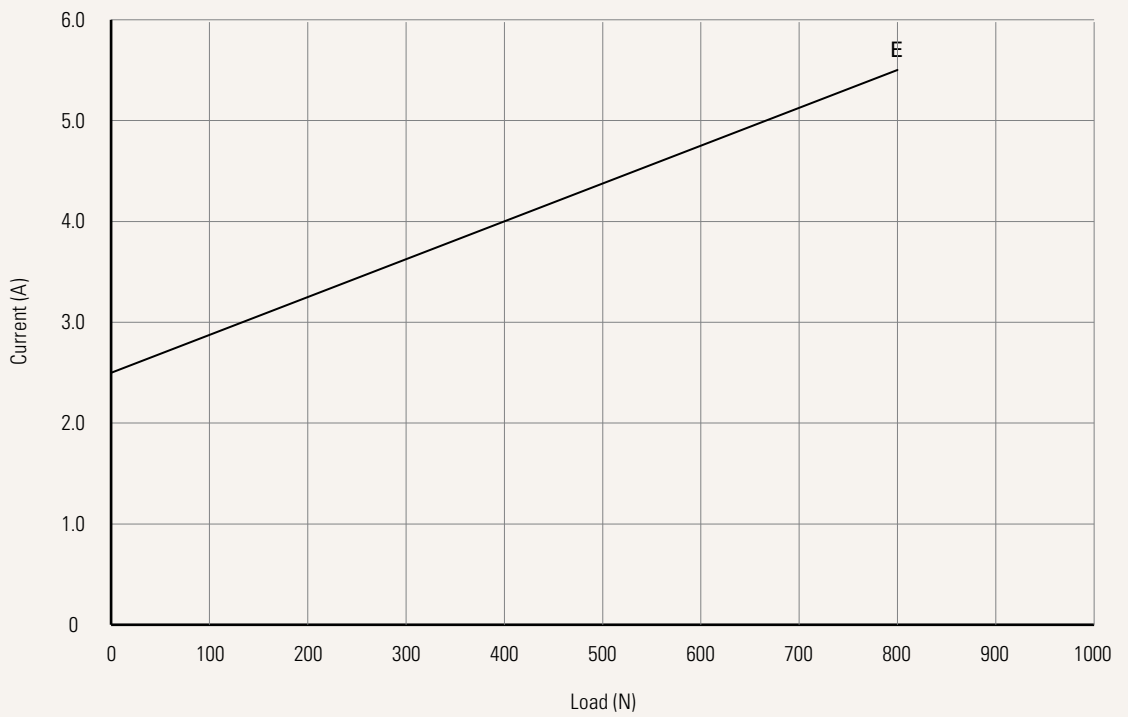
Performance Data (24V DC Motor)

Motor Speed (5200RPM)

Speed vs. Load



Current vs. Load



Note

1 The performance data in the curve charts shows theoretical value.

Voltage 2 = 24V DC

Load and Speed [See page 2](#)

Stroke & Retracted Length (mm) [See page 5](#)

| | | |
|--------------|---|--|
| Color | 1 = Black, RAL 9005, Black wiper | 7 = White, RAL 9016, White wiper |
| | 2 = Grey, RAL 9006, Black wiper | 8 = Special grey, RAL 9022, Grey wiper |
| | 3 = White, RAL 9016, Black wiper | B = Matte black, RAL 7021, Black wiper |
| | 4 = Special grey, RAL 9022, Black wiper | C = Graphite grey, RAL7024, Black wiper |
| | 6 = Grey, RAL 9006, Grey wiper | D = Matte black, RAL 7021, Matte Black wiper |

Output Signals 2 = Hall sensor*2

Plug E = Molex 8P, plug, standard
[See page 5](#)

Cable Length (mm) 1 = Straight, 350

Note

1 The TL is designed especially for push applications, not suitable for pull applications.

Stroke & Retracted Length (mm)

A. Stroke & Retracted Length (mm)

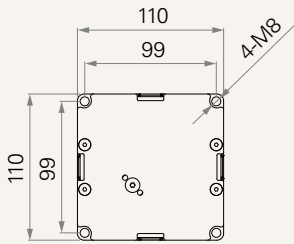
Foot Assembly Stroke & Retracted Length

Standard

Standard 500 / 645

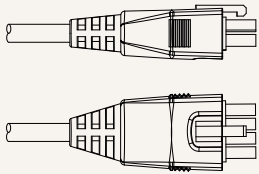
Bottom Dimension

Standard



Connector

E = Molex 8P, plug, standard



Terms of Use

The user is responsible for determining the suitability of TiMOTION products for a specific application. TiMOTION products are subject to change without prior notice.