

TMH3

series



Product Segments

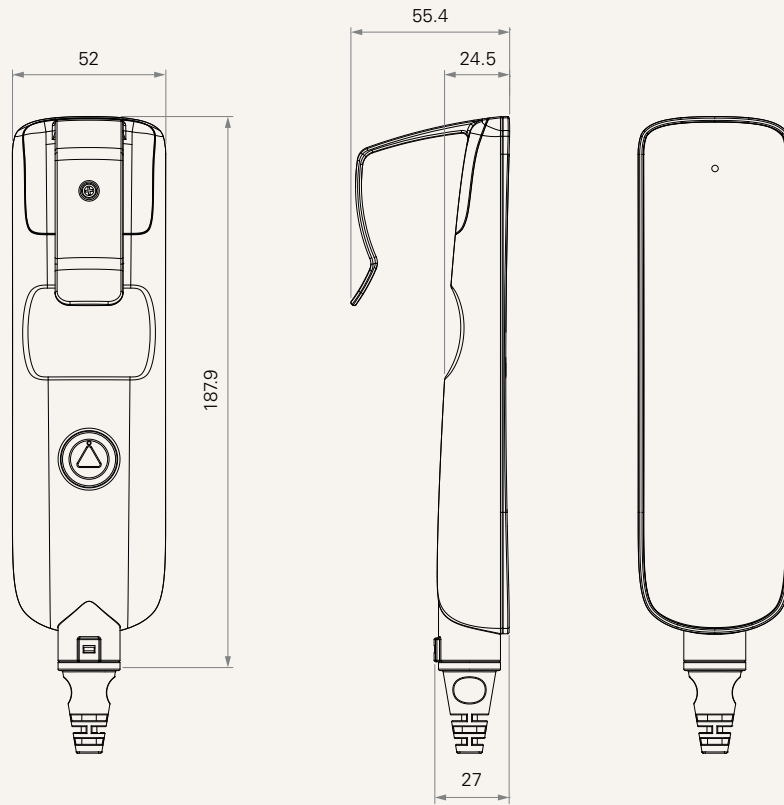
- **Care Motion**

General Features

Connected actuators	1~4
Maximum available buttons	6
Color	Black or gray
IP rating	Up to IP66
With safety key and hook	
Compatible with control boxes - TC12 or TC20, used for patient hoist system	

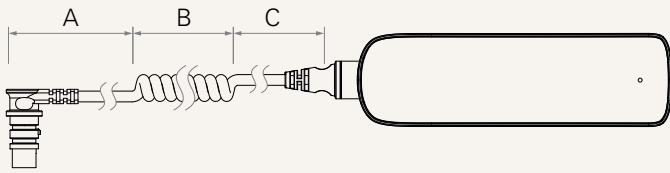
Drawing

Standard Dimensions
(mm)



MCU	0 = Without	1 = With		
Control Box Type	0 = Without MCU control box 1 = With MCU control box			
Operating Actuator Number	1 = 1	2 = 2	3 = 3	4 = 4
Button Definition	See appendix* Note: please contact TiMOTION before making an order			
Safety Key	0 = Without	1 = With		
Plug	3 = DIN 8pin	4 = RJ 10pin		
Plug Angle	1 = 90°	2 = 180°		
Cable Length (mm)	0~A = See page 4			
Color	1 = Black	2 = Grey (Pantone 428C)		
Hook	1 = Standard			
IP Rating	2 = IP54	3 = IP66		

Cable Length (mm)



CODE	Part A	Part B	Part C
0	0	0	0
1	1000	0	0
2	1500	0	0
3	2000	0	0
4	4000	0	0
5	1000	300	200
6	1200	300	300
7	1400	300	400
8	1000	200	200

Terms of Use

The user is responsible for determining the suitability of TiMOTION products for a specific application. TiMOTION products are subject to change without prior notice.