

TMH7

series



Product Segments

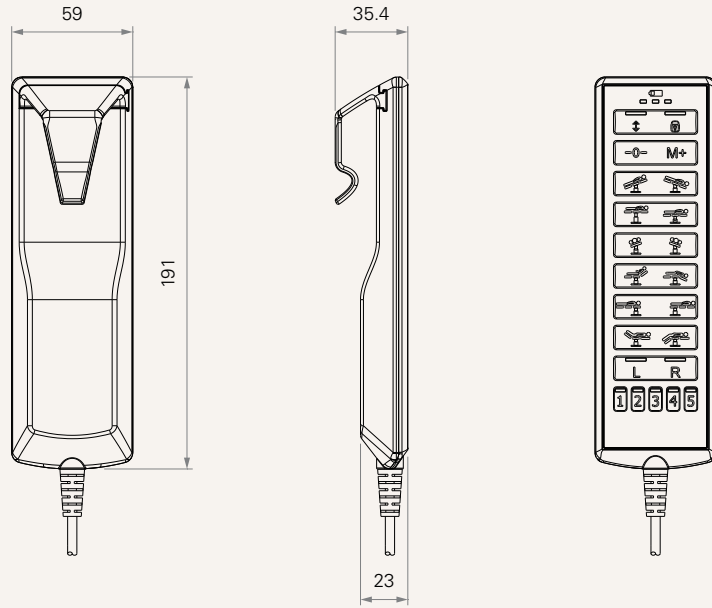
• Care Motion

General Features

Number of motors	1~9
Max. available buttons	23
Color	Grey
IP rating	IP66
With backlight and hook	

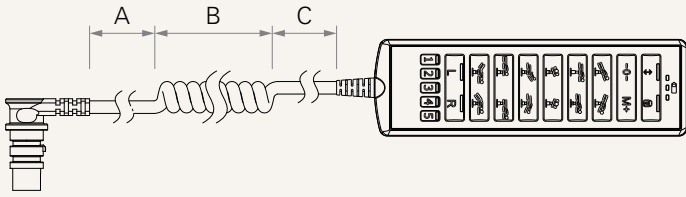
Drawing

Standard Dimensions
(mm)



MCU	1 = With			
Control Box Type	1 = With MCU			
Number of Actuators	6 = 6	7 = 7	8 = 8	9 = 9
Button Definition	See appendix* Note: please contact TiMOTION before making an order			
Back Light	1 = With			
Plug	5 = RJ 10P			
Angle of Plug	1 = 90°	2 = 180°		
Cable Length (mm)	1 = Straight, 1000	5 = Curry, A:1000; B:300; C:200		
	2 = Straight, 1500	6 = Curry, A:1200; B:300; C:300		
	3 = Straight, 2000	7 = Curry, A:1000; B:200; C:200		
	4 = Straight, 4000			
Hook	1 = With			
IP Rating	2 = IP54	3 = IP66		

Cable Length



Cable Section (mm)

CODE	A	B	C
1	1000	300	200
2	1200	300	300
3	1000	200	200

Terms of Use

The user is responsible for determining the suitability of TiMOTION products for a specific application. TiMOTION products are subject to change without prior notice.