

TBL

series



Product Segments

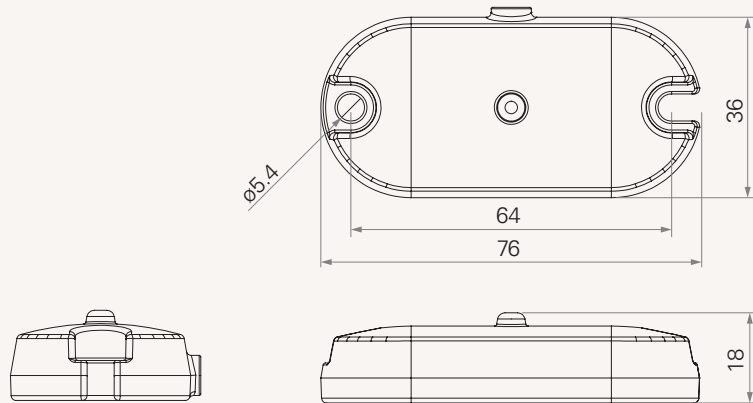
- **Care Motion**

General Features

Low power consumption 0.8W
Comprised of 10 or 15pcs small LED
2 x M5 holes for installation

Drawing

Standard Dimensions
(mm)



TBL

Version: 20150901-E

□	Plug	1 = Din Jack 6pin, connect to motor 2 = Din Jack 8pin, connect to handset 3 = RJ 10pin, 90°, connect to handset (with MCU)	4 = RJ 10pin, 90°, connect to handset (without MCU) A = Customized	
□	Color	1 = Black	2 = Grey (Pantone 428C)	
□	Brightness	1 = High (13200mcd)	2 = Standard (8800mcd)	3 = Low (4400mcd)
□	Cable Length	1 = Straight, 1000mm 2 = Straight, 1200mm	3 = Straight, 1500mm 4 = Straight, 1800mm	5 = Straight, 2000mm 6 = Straight, 2500mm A = Customized

Terms of Use

The user is responsible for determining the suitability of TiMOTION products for a specific application. TiMOTION products are subject to change without prior notice.