

# TCS1

series



---

## Product Segments

- **Ergo Motion**
- **Industrial Motion**

TCS1 is a collision sensor based on t-touch technology which can be integrated easily into the control system and does not require any additional hardware upgrades. When paired with the TiMOTION control system, TCS1 allows for three axis collision detection. This sensor provides enhanced safety to your electric height adjustable desk or system to help prevent user injury or equipment damage.

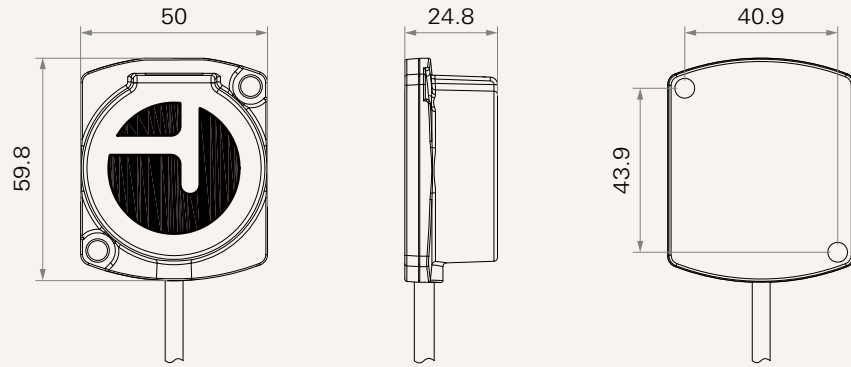
### General Features

- Hardware based solution
- Enhanced collision detection
- Prolonged product life
- Add-on accessory - upgrade protection at anytime
- Allows for linking of multiple TCS1's for complex work surface designs

---

**Drawing**

Standard Dimensions  
(mm)



---

**Terms of Use**

The user is responsible for determining the suitability of TiMOTION products for a specific application. TiMOTION products are subject to change without prior notice.