

TES

series



Product Segments

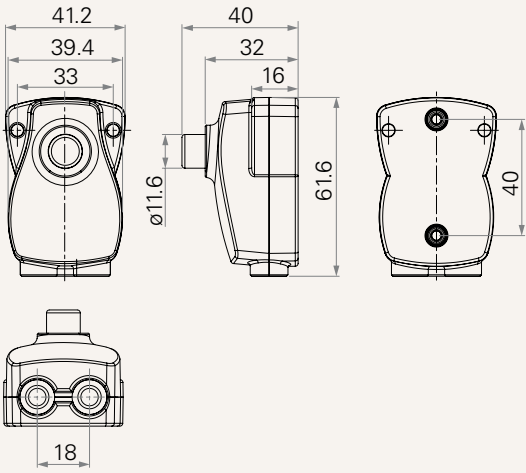
- **Care Motion**
- **Comfort Motion**
- **Ergo Motion**
- **Industrial Motion**

General Features

External switch to limit the movement of actuators.

Drawing

Standard Dimensions
(mm)



Color	1 = Black	2 = Grey (Pantone 428C)	
Function	1 = During the extension, the actuator will stop and only the retraction is possible once TES is pressed.	2 = During the retraction, the actuator will stop and only the extension is possible once TES is pressed.	4 = Being on normal open (NO), TES will send signals to the control box once being pressed. 5 = Being on normal close (NC), TES will send signals to the control box once being pressed.
Cable Length (To The Actuator)	1 = Straight, 500mm	2 = Straight, 1000mm	3 = Coiled, 200mm
Cable Length (To The Control Box)	1 = Straight, 500mm	2 = Straight, 1000mm	3 = Coiled, 200mm

Terms of Use

The user is responsible for determining the suitability of TiMOTION products for a specific application. TiMOTION products are subject to change without prior notice.