

TNC

series



Product Segments

- **Care Motion**

The TNC is an emergency message receiver for caregivers. It's compatible with the hand controls - TH12 or TMH1, used for nurse calling system. It is available with a built-in dry cell battery, and also has an optional micro USB socket for power input.

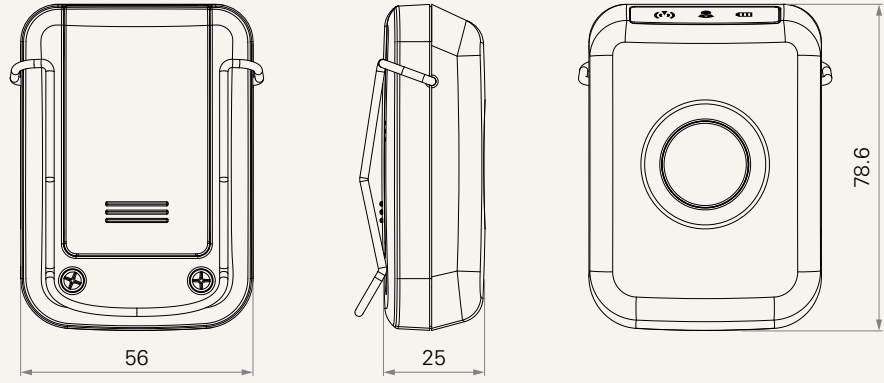
General Features

With three indicator lights for

Disconnection alarm, patient assistance alarm, and battery indicator

Drawing

Standard Dimensions
(mm)



TNC

Version: 20170906-B

Logo	0 = Without	1 = TiMOTION
Color	2 = Grey (Pantone 428C)	
Backup Battery	1 = With battery clip, without battery	2 = With battery clip, with battery (2*AAA 1.5V battery)
Micro USB Charging Socket	0 = Without	1 = With

Terms of Use

The user is responsible for determining the suitability of TiMOTION products for a specific application. TiMOTION products are subject to change without prior notice.