

# TWC

series



---

## Product Segments

- **Ergo Motion**

---

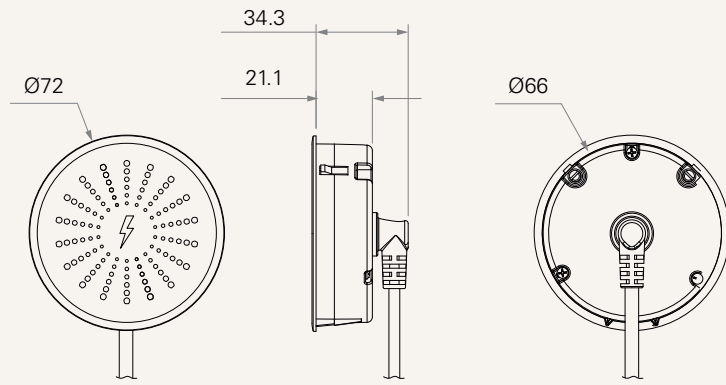
The TWC is specifically designed for wireless charging of mobile devices. It can be installed on the table top. It needs to work with the mobile devices that support with wireless charging.

### General Features

Wireless charging device for mobile devices.

**Drawing**

Standard Dimensions  
(mm)



## TWC

Version: 20170705-B

---

<b>Membrane Type</b>	1 = Type1		
<b>Membrane Color</b>	1 = White	2 = Black	3 = Matt grey
<b>Case Color</b>	1 = Black	2 = White	
<b>Cable &amp; Connector</b>	2 = TC: Flat RJ10P (plug), 100mm; TH: Flat, RJ10P (socket), 100mm; TWC: Straight, 500mm		

---

---

### Terms of Use

The user is responsible for determining the suitability of TiMOTION products for a specific application. TiMOTION products are subject to change without prior notice.