

TYC2

series



Product Segments

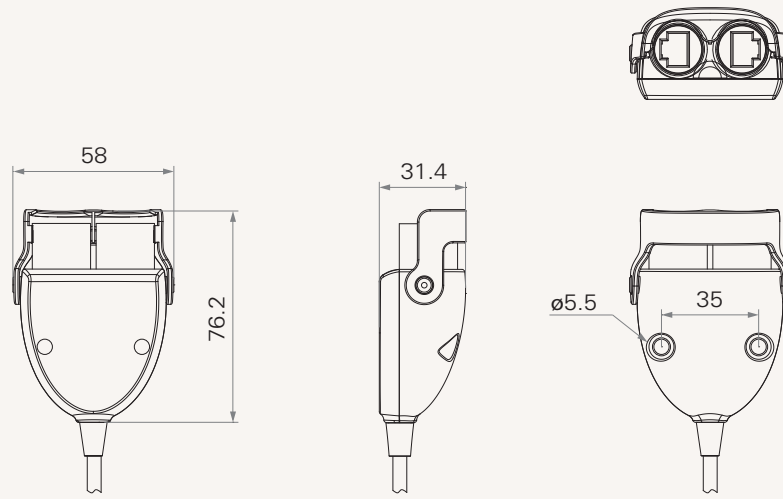
- **Care Motion**
- **Comfort Motion**

General Features

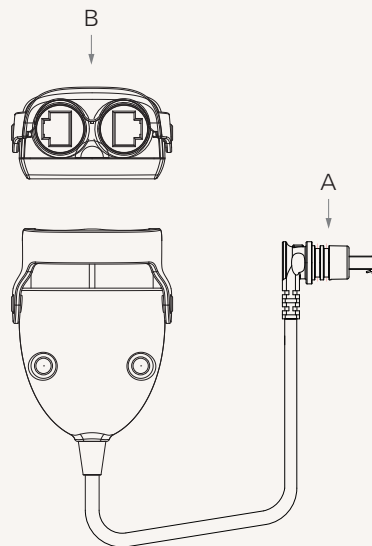
IP rating Up to IP66
Extension cable for multiple hand controls/motors

Drawing

Standard Dimensions
(mm)



TYC2 Illustration



TYC2

Version: 20160817-A

A	<input type="checkbox"/>	Connector or Socket	1 = Connector	2 = Socket with clip
	<input type="checkbox"/>	Connector or Socket Type	8 = RJ 10pins	
	<input type="checkbox"/>	Connector Angle	1 = 90°	2 = 180°
	Note : If selected the option#2_ "socket with clip" of connector or socket, please don't compatible with the option#1_90° of connector angle.			
	<input type="checkbox"/>	O Ring Color	0 = Without	3 = Blue
			1 = Red (connect to the device without MCU)	4 = Black
		2 = Yellow (connect to the device with MCU)	5 = White	
Note : If chose the option #2_socket with clip of connector or socket, please select option #0_without of O ring color.				
<input type="checkbox"/>	Cable Length	1 = Straight, 1000mm	2 = Straight, 2000mm	3 = Straight, 3000mm
B	<input type="checkbox"/>	Socket	1 = RJ 10pin socket + RJ 10pin socket	
	<input type="checkbox"/>	Color	1 = Black	2 = Grey (Pantone 428C)
	<input type="checkbox"/>	IP Rating	4 = IP66W	

Terms of Use

The user is responsible for determining the suitability of TiMOTION products for a specific application. TiMOTION products are subject to change without prior notice.