

TH25

series



Product Segments

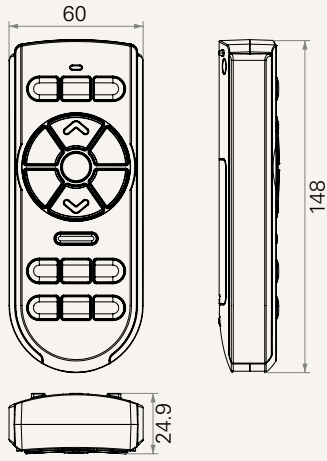
- **Comfort Motion**

General Features

Connected actuators	1~4
Maximum available buttons	17
Color for housing	Black, white, or dark grey
Color for rubber grip	Black, grey, or yellow
After-process methods for buttons	Silkscreen or dispensing
Options	RF, back light

Drawing

Standard Dimensions
(mm)



Frequency	0 = Without RF function	1 = 315MHz	2 = 433MHz	
Button Definition	1 = 4 motors, 3 vibration motors		2 = 4 motors, 2 vibration motors, with flash light	
Connector	5 = RJ 10P, 180°, for extension cable		6 = RJ 10P, 90°	
Color (Case)	1 = Black, glossy	2 = Black, soft touch paint	3 = White, glossy	4 = Dark grey, glossy (Pantone 424C)
Color (Rubber Grip)	1 = Black 2 = Grey (Pantone cool gray 8C)		3 = Yellow (Pantone 123C)	
Button Type	1 = Silk screen		2 = Dispensing	
Cable Length (Detachable) (mm)	0 = Without		1 = Straight, 4500mm	

Terms of Use

The user is responsible for determining the suitability of TiMOTION products for a specific application. TiMOTION products are subject to change without prior notice.