

# TLB

series



### Terms of Use

The user is responsible for determining the suitability of TiMOTION products for a specific application.

Due to continuous development in order to improve our products, TiMOTION products are subject to frequent modifications and changes without prior notice.

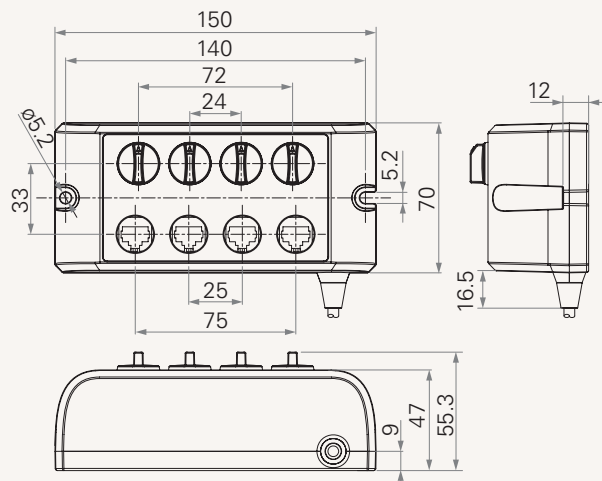
TiMOTION reserves the right to discontinue the sale of any products displayed on its website or listed in its catalogue or other written materials drawn up by TiMOTION.

### General Features

Actuator lock box and handset hub  
 Suitable for nurse/attendant safety control

### Drawing





Standard Dimension



# TLB Ordering Key

TLB

Version: 20130510-B

	<b>Number of Buttons</b>	0 = 0 1 = 1	2 = 2 3 = 3	4 = 4
	<b>Color</b>	1 = Black	2 = Grey (Pantone 428C)	
	<b>Membrane</b>	A~T = See appendix* Note : please contact TiMOTION before making an order		1 = Customized
	<b>Cable Length</b>	1 = Straight, 500mm	2 = Straight, 1000mm	A = Customized