

TMH3

series



Product Segments

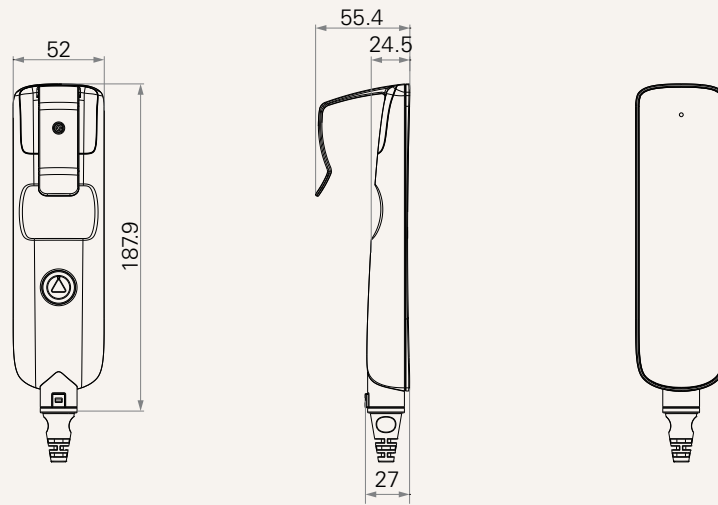
• Care Motion

General Features

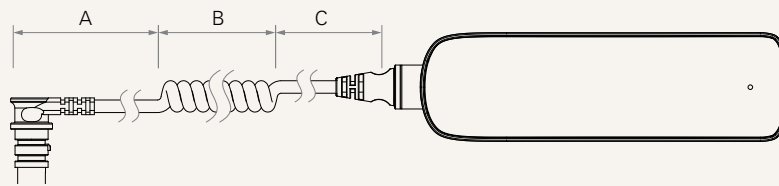
Connected actuators	1~3
Maximum available buttons	6
Color	Black or gray
IP rating	Up to IP66
With safety key and hook	
Compatible with control boxes - TC12 or TC20, used for patient hoist system	

Drawing

Standard Dimensions
(mm)



Dimension with Cable Length



Cable Length (mm)

CODE	A	B	C
0	0	0	0
1	1000	0	0
2	1500	0	0
3	2000	0	0
4	4000	0	0
5	1000	300	200
6	1200	300	300
7	1400	300	400
8	1000	200	200

MCU	0 = Without		
Compatible Control Box Type	1 = With MCU		
Operating Actuator Number	1 = 1	2 = 2	3 = 3
Button Definition	H1-H5 = See appendix* Note: please contact TiMOTION before making an order		
Safety Key	0 = Without	1 = With	
Connector Type	2 = DIN 5pin	3 = DIN 8pin	4 = RJ 10pin
Angle of Connector	1 = 90°	2 = 180°	
Cable Length (mm)	0-8 = See page 2		
Color	1 = Black	2 = Pantone 428C	
Hook Type	1 = Standard hook		
Ip Rating	2 = IP54	3 = IP66	

Terms of Use

The user is responsible for determining the suitability of TiMOTION products for a specific application. TiMOTION products are subject to change without prior notice.