

TNP5

series



Product Segments

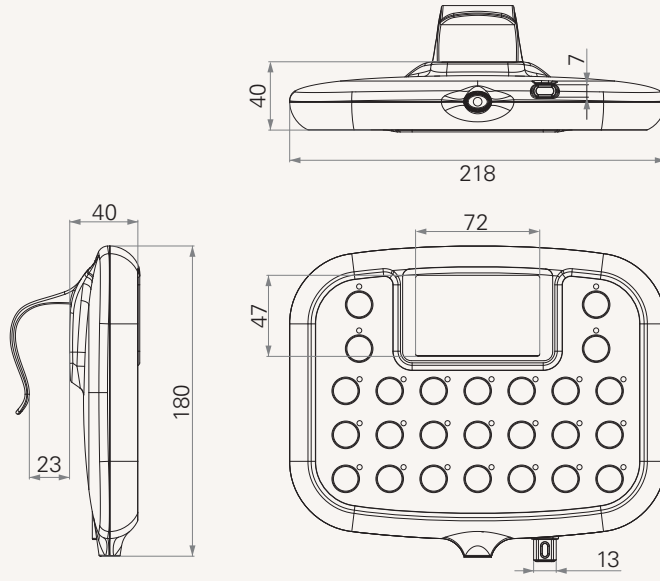
- **Care Motion**

General Features

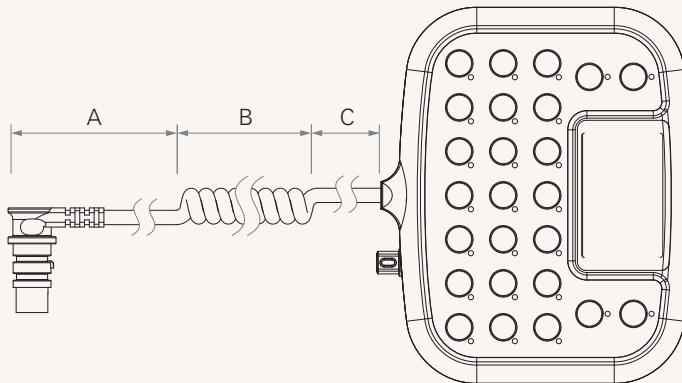
Maximum available buttons	25
Color	black or grey
Protection class	IP54 or IP66
Option	safety key
Control up to 7 channels in connection with TC8	
Can hook on the rail	
Can be used as lock-out box	
With 3.5 inches LCD display, showing all the data and bed condition	

Drawing

Standard Dimensions
(mm)



Dimensions with Cable Length










Cable Length (mm)

CODE	A	B	C
1	1000	300	200
2	1200	300	300
3	1400	300	400
4	2400	0	0
5	0	600	0
6	1000	200	200
A	Customized length		

TNP5

Version: 20160623-D

	Plug	1 = DIN 8pin, 90°	2 = RJ 10pin, 90°	4 = DIN 8pin, 180°	5 = RJ 10pin, 180°
	Color	1 = Black		2 = Grey (Pantone 428C)	
	IP Rating	1 = Without	2= IP54	3 = IP66	
	Safety Key	0 = Without		1 = With	
	Key Definition	A = Customized			
	Cable Length	1~6 = See appendix		A = Customized	
	Hook Type	1 = Standard			

Terms of Use

The user is responsible for determining the suitability of TiMOTION products for a specific application. TiMOTION products are subject to change without prior notice.