

TP2

series



Product Segments

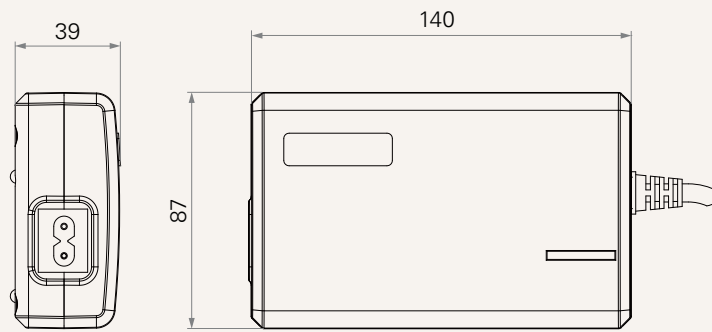
- **Comfort Motion**

General Features

Transformer type	SMPS
Input voltage	100~240V AC
Maximum output	29V DC, 2.5A
Plug support	EU, USA, AUS, UK, JPN
Color	Black or grey
Option	Backup battery
Certificate	CE, UL, and CQC

Drawing

Standard Dimensions
(mm)



Plug	1 = EU 2 = USA	3 = AUS 4 = UK	5 = JPN
Color	1 = Black	2 = Grey (Pantone 428C)	
Cable Length and Connector	1 = AC cable: straight, 1500mm; DC cable: straight, 1000mm; DIN 5pin socket 3 = AC cable: straight, 1500mm; DC cable: straight, 1000mm; 01 socket		

Terms of Use

The user is responsible for determining the suitability of TiMOTION products for a specific application. TiMOTION products are subject to change without prior notice.