

TP5P

series



Product Segments

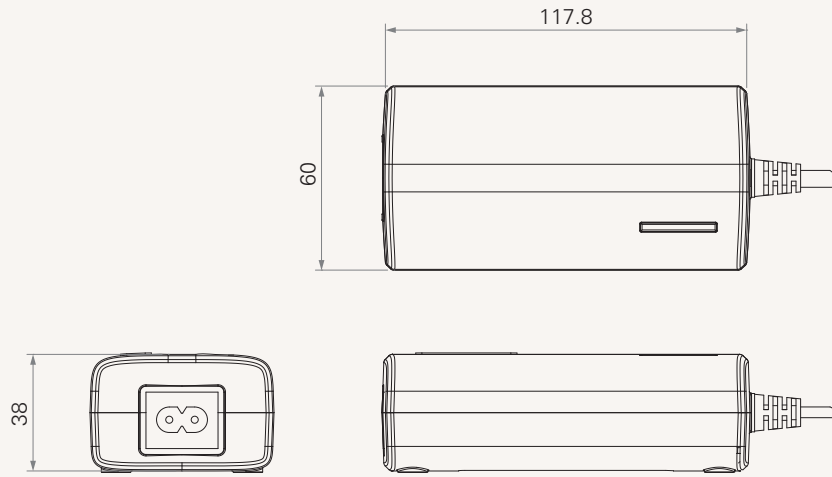
- **Comfort Motion**

General Features

Transformer type	SMPS
Input voltage	100~240V AC
Maximum output	29V DC, 2.0A
Plug support	EU, USA, AUS, UK, JPN
Color	Black or grey
Certificate	C-Tick, MEPS, ACMA, RoHS, EMC, and IEC 61558-2-16

Drawing




Standard Dimensions
(mm)



TP5P Ordering Key

TP5P

Version: 20160623-C

	Plug	1 = EU 2 = USA	3 = AUS 4 = UK	5 = JPN
	Color	1 = Black		2 = Grey (Pantone 428C)
	Cable Length	1 = AC cable: straight, 1500mm; DC cable: straight, 1000mm; DIN plug 3 = AC cable: straight, 1500mm; DC cable: straight, 1000mm; 01 plug		A = Customized

Terms of Use

The user is responsible for determining the suitability of TiMOTION products for a specific application. TiMOTION products are subject to change without prior notice.