

TP6

series



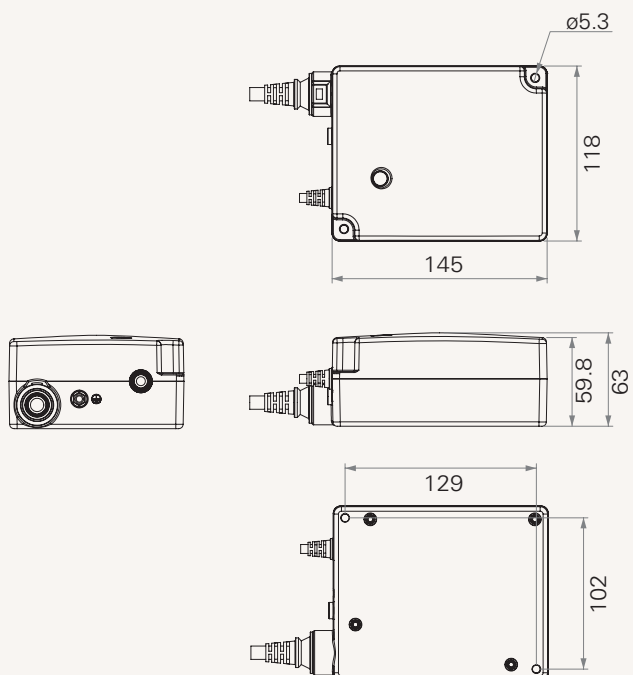
Product Segments

- **Care Motion**

Transformer type	SMPS
Input voltage	100~240V AC
Maximum output	31.5V DC, 5.0A
Plug support	EU, USA, AUS, UK, JPN, or customized
Color	black or grey
IP rating	IP54 or IP66

Drawing

Standard Dimension
(mm)



Terms of Use

The user is responsible for determining the suitability of TiMOTION products for a specific application.





Due to continuous development in order to improve our products, TiMOTION products are subject to frequent modifications and changes without prior notice.

TiMOTION reserves the right to discontinue the sale of any products displayed on its website or listed in its catalogue or other written materials drawn up by TiMOTION.

TP6 Ordering Key

TP6

Version: 20130510-B

	Plug	1 = EU 2 = USA	3 = AUS 4 = UK	5 = JPN A = Others
	Color	1 = Black		2 = Grey (Pantone 428C)
	Cable Length	0 = AC cable: straight, 4000mm; DC cable: straight, 150mm (mount on TC8) A = Customized 1 = AC cable: straight, 2000mm; DC cable: straight, 1000mm 2 = AC cable: straight, 4000mm; DC cable: straight, 1000mm		
	Grounding Function	0 = Without		1 = With