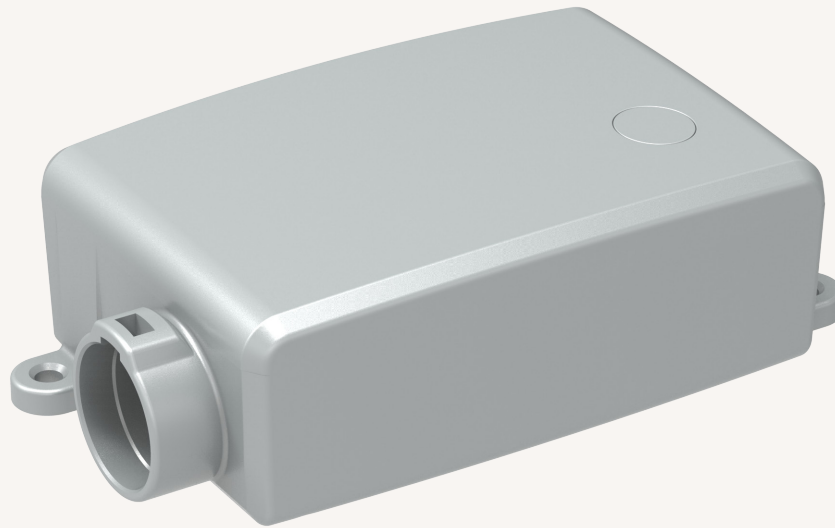


TP9

series



Product Segments

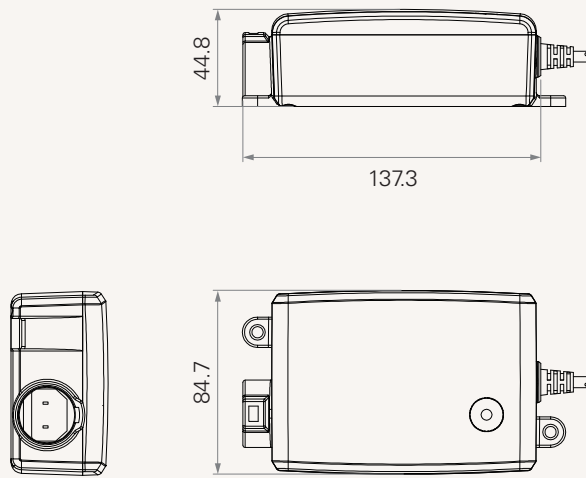
- **Care Motion**

General Features

Transformer type	SMPS
Input voltage	100~240V AC
Maximum output	29V DC, 2.5A
Plug support	EU, USA, AUS, UK, JPN, or customized
Color	Black or grey
IP rating	Up to IP66
Certificate	CB, ES/EN60601-1, and IEC60601-1

Drawing





Standard Dimensions
(mm)



TP9 Ordering Key

TP9

Version: 20150609-E

	Plug	1 = EU 2 = USA	3 = AUS 4 = UK	5 = JPN A = Other
	Color	1 = Black		2 = Grey (Pantone 428C)
	Cable Length	1 = AC cable: straight, 2000mm; DC cable: straight, 1000mm; DIN 5pin socket 2 = AC cable: straight, 2000mm; DC cable: straight, 1000mm; 01 socket 3 = AC cable: straight, 500mm; DC cable: straight, 3500mm; DIN 5pin socket 4 = AC cable: straight, 500mm; DC cable: straight, 3500mm; 01 socket		
	IP Rating	1 = Without	2 = IP54	3 = IP66

Terms of Use

The user is responsible for determining the suitability of TiMOTION products for a specific application. TiMOTION products are subject to change without prior notice.