

# TL18

series



## Product Segments

- **Care Motion**
- **Comfort Motion**
- **Ergo Motion**
- **Industrial Motion**

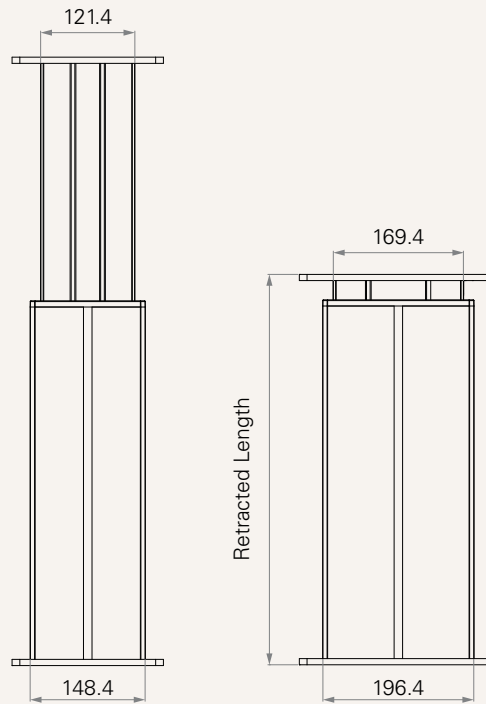
TiMOTION's TL18 column is designed for medical applications such as nurse carts, ophthalmological devices, X-ray machines, etc. The TL18 features an extruded aluminum rectangular appearance. Our high capacity, yet economical, TL18 provides stable vertical lifting. This streamlines the engineering design process and replaces the older style, unsafe lifting mechanisms which have many moving stages and pinch points.

### General Features

Maximum load & self- locking force	4,500N in push
Maximum dynamic bending moment	250Nm
Maximum static bending moment	500Nm
Maximum speed at full load	28mm/s (with 500N in a push condition)
Minimum installation dimension	Stroke+147mm
Stroke	100~700mm
Operational temperature range	+5°C~+45°C
Options	Hall sensor(s), cable exit from top/ bottom side, direct cut system
Certificate	IEC60601-1, ES60601-1, IEC60601-1-2, UL73, EMC

**Drawing**

Standard Dimensions  
(mm)

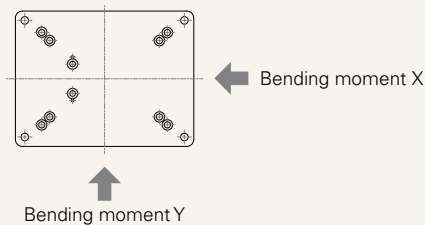


**Load and Speed**

CODE	Load (N)	Bending Moment- X direction		Self Locking Force (N)	Typical Current (A)		Typical Speed (mm/s)	
	Push	Dynamic	Static		No Load 24V DC	With Load 24V DC	No Load 24V DC	With Load 24V DC
<b>Motor Speed (3800RPM)</b>								
<b>U</b>	4500	250	500	4500	2.5	4.9	11.4	6.6
<b>Z</b>	3000	250	500	3000	2.5	5.5	17.1	9.5
<b>W</b>	2000	250	500	2000	2.5	4.8	22.9	13.1
<b>S</b>	1500	250	500	1500	2.5	4.7	30.0	18.9
<b>V</b>	500	250	500	500	2.5	4.0	45.0	28.0

**Note**

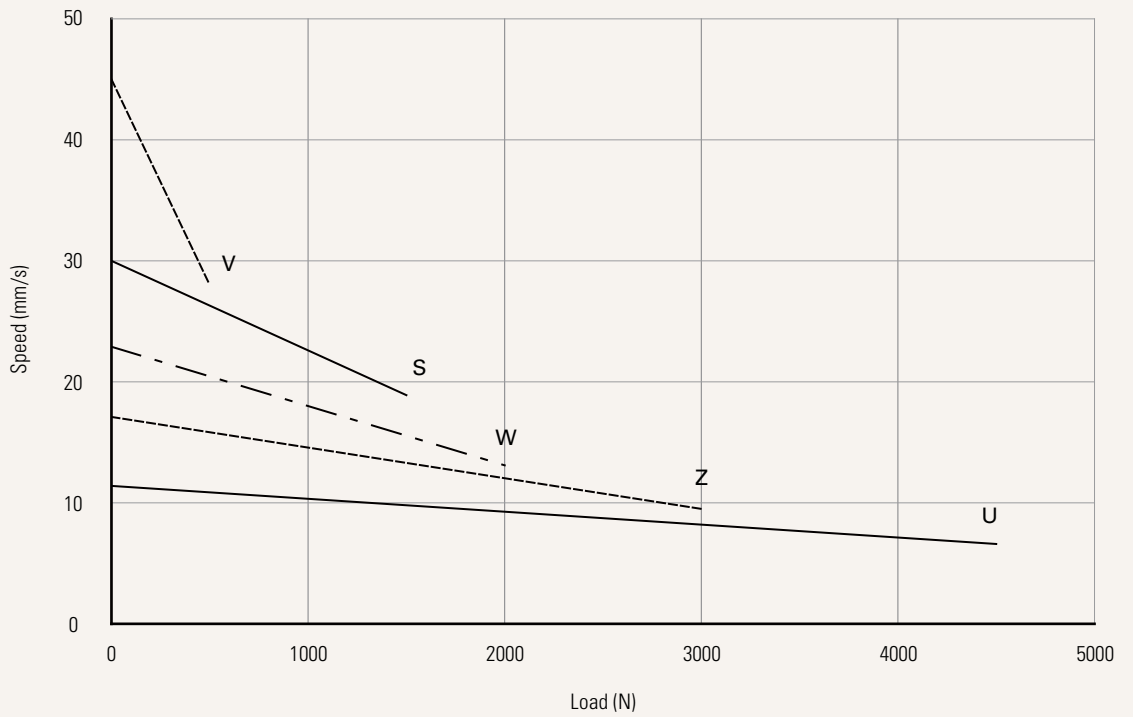
- 1 With a 12V motor, the current is approximately twice the current measured in 24V; speed will be similar for both voltages.
- 2 Bending Momen: Y direction= X\*0.8



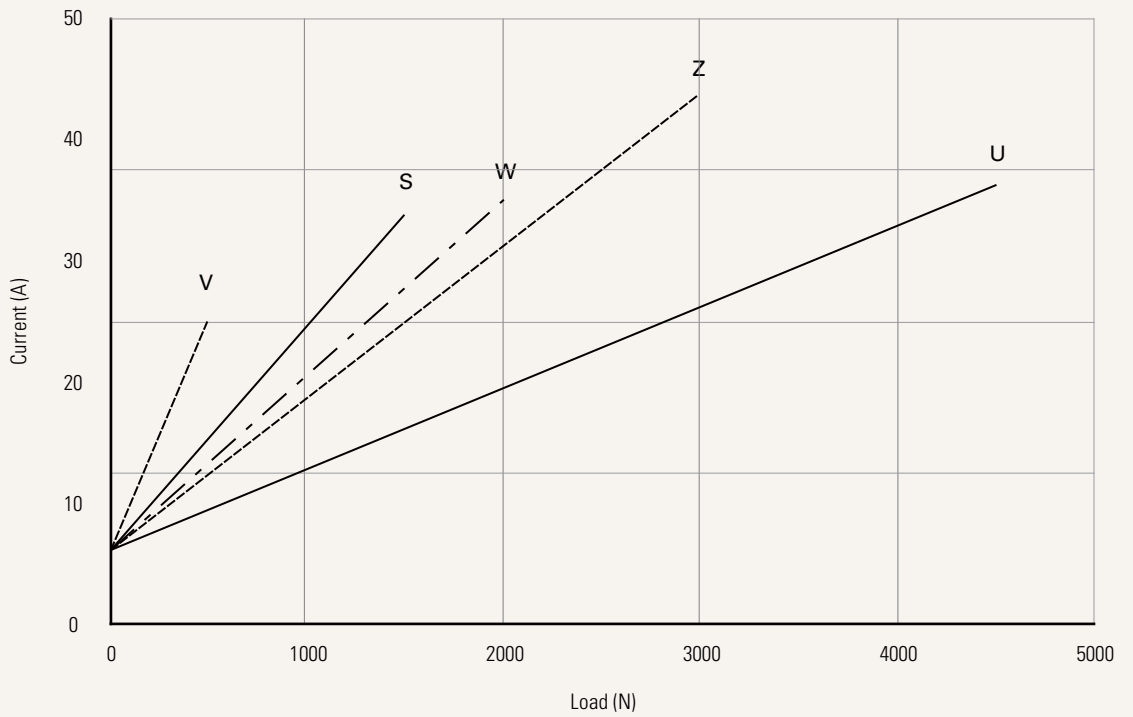
Performance Data (24V DC Motor)

Motor Speed (3800RPM)

Speed vs. Load



Current vs. Load



Note

1 The performance data in the curve charts shows theoretical value.

<b>Voltage</b>	1 = 12V DC	2 = 24V DC	
<b>Load and Speed</b>	<a href="#">See page 2</a>		
<b>Stroke (mm)</b>	100-700		
<b>Retracted Length (mm)</b>	<a href="#">See page 2</a>		
<b>Cable Exit</b>	2 = Bottom side cable	3 = Top side cable	
<b>Special Functions for Spindle Sub-Assembly</b>	0 = Without (standard)	1 = Safety nut	
<b>Functions for Limit Switches</b>	1 = Two switches at full retracted / extended positions to cut current 2 = Two switches at full retracted / extended positions to send signal		
<b>Color</b>	1 = Black	2 = Matte silver	
<b>IP Rating</b>	1 = Without		
<b>Output Signals</b>	0 = Without	2 = Hall sensor*2	
<b>Top Plate</b>	1 = Small plate	2 = Big plate	
<b>Bottom Plate</b>	1 = Small plate	2 = Big plate	
<b>Connector</b>	1 = DIN 6P, 90° plug C = Y cable, for direct cut system	E = Molex 8P, plug	
<b>Cable Length (mm)</b>	1 = Straight, 500 2 = Straight, 750 3 = Straight, 1000	4 = Straight, 1250 5 = Straight, 1500 6 = Straight, 1750	7 = Straight, 2000 B = For direct cut system <a href="#">See page 6</a>

### Note

<sup>1</sup> The TL18 is designed especially for push applications, not suitable for pull applications.

---

## Retracted Length (mm)

1. Retracted length needs to  $\geq$  Stroke+A

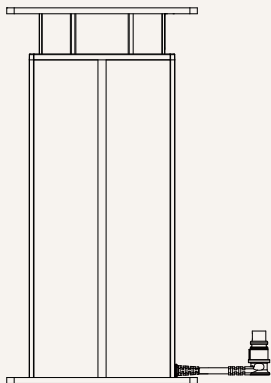
---

### A. Plate

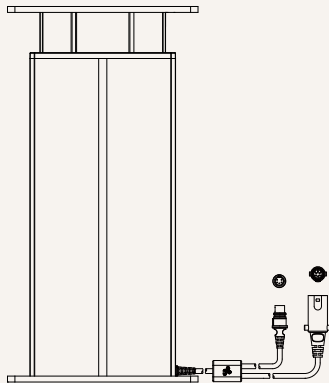
Top plate	Bottom plate	
	1	2
1	+147	+171
2	+151	+171

## Cable Exit

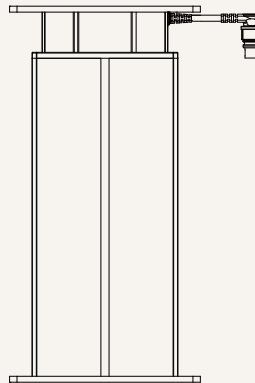
2 = Bottom side cable



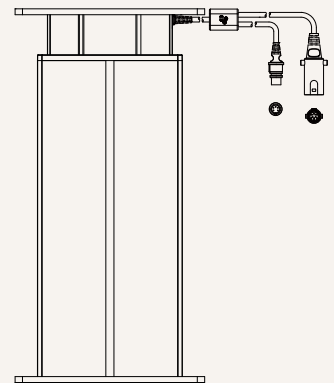
2 = Bottom side cable  
Y cable, for TH + TP



3 = Top side cable



3 = Top side cable  
Y cable, for TH + TP



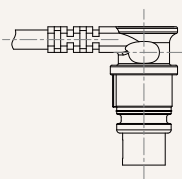
## Functions for Limit Switches

### Wire Definitions

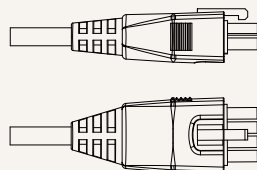
CODE	Pin					
	● 1 (Green)	● 2 (Red)	○ 3 (White)	● 4 (Black)	● 5 (Yellow)	● 6 (Blue)
1	extend (VDC+)	N/A	N/A	N/A	retract (VDC+)	N/A
2	extend (VDC+)	N/A	middle switch pin B	middle switch pin A	retract (VDC+)	N/A

## Connector

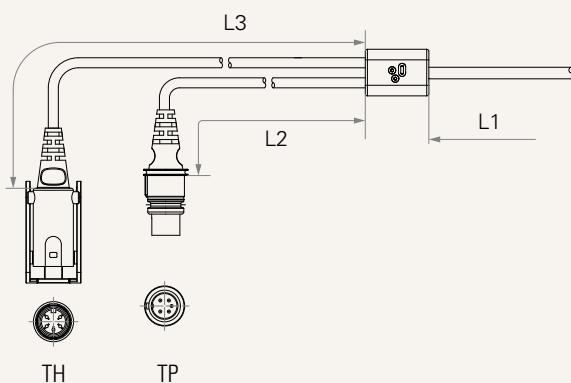
1 = DIN 6P, 90° plug



E= Molex 8P, plug



C= Y cable, for direct cut system

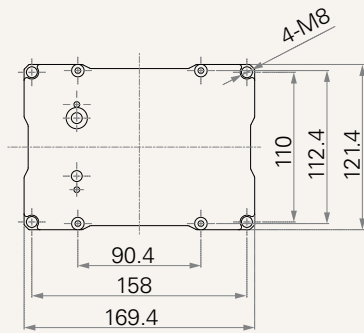


### Cable length for direct cut system (mm)

CODE	L1	L2	L3
H	100	100	100

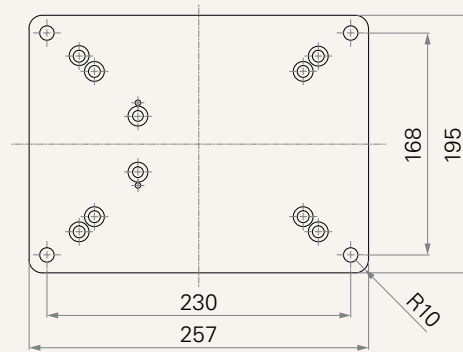
## Top Plate

1 = Small plate



Small Plate: 4 fixation holes  
Thickness 4mm

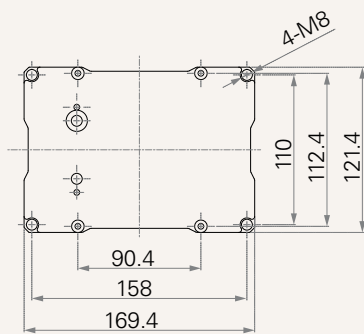
2 = Big plate



Big Plate: 4 fixation holes  
Thickness 8mm

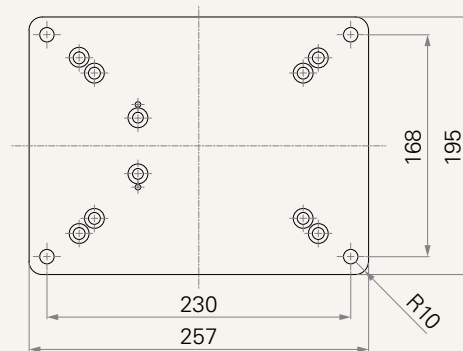
## Bottom Plate

1 = Small plate



Small Plate: 4 fixation holes  
Thickness 4mm

2 = Big plate



Big Plate: 4 fixation holes  
Thickness 8mm

## Terms of Use

The user is responsible for determining the suitability of TiMOTION products for a specific application. TiMOTION products are subject to change without prior notice.