

TC12

series



Product Segments

• Care Motion

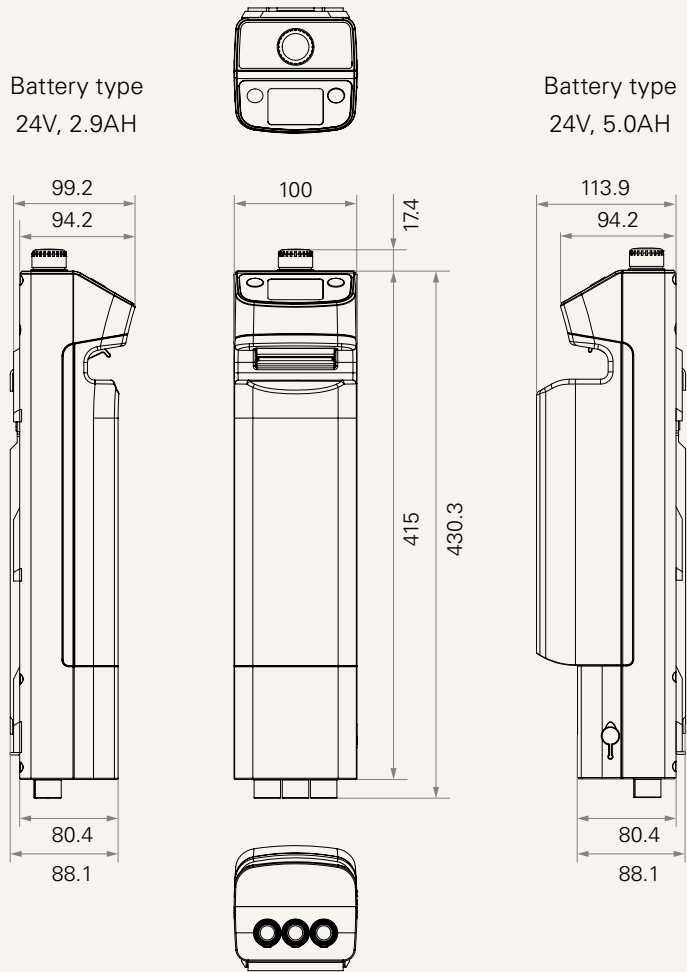
We create an optimum solution to meet specific patient needs and to secure a safe and comfortable transfer as well as achieving a safe and efficient working environment for the caregivers.

General Features

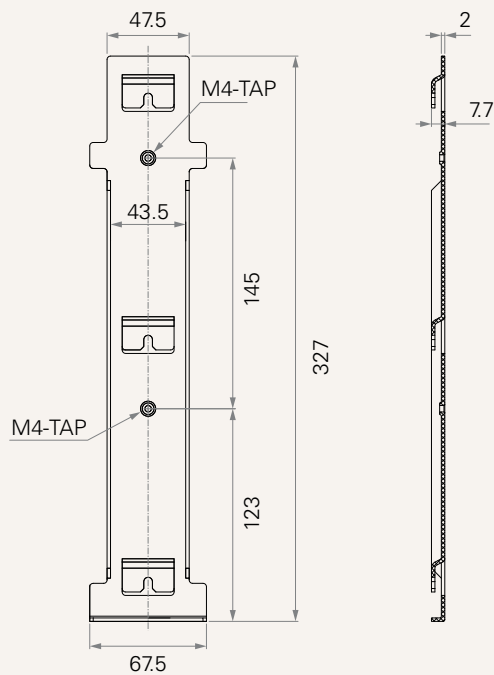
Detachable battery pack	2.9Ah or 5Ah
Number of actuators	1~3
IP rating	Up to IP54
Options	With LCD display
Certificate	IEC60601-1, ES60601-1
With wall mount battery charger-TBC2 (Note: charge cradle is optional)	
Battery alarm when battery with lower capacity remaining	
Emergency stop button	
Easy installation	

Drawing

Standard Dimensions
(mm)

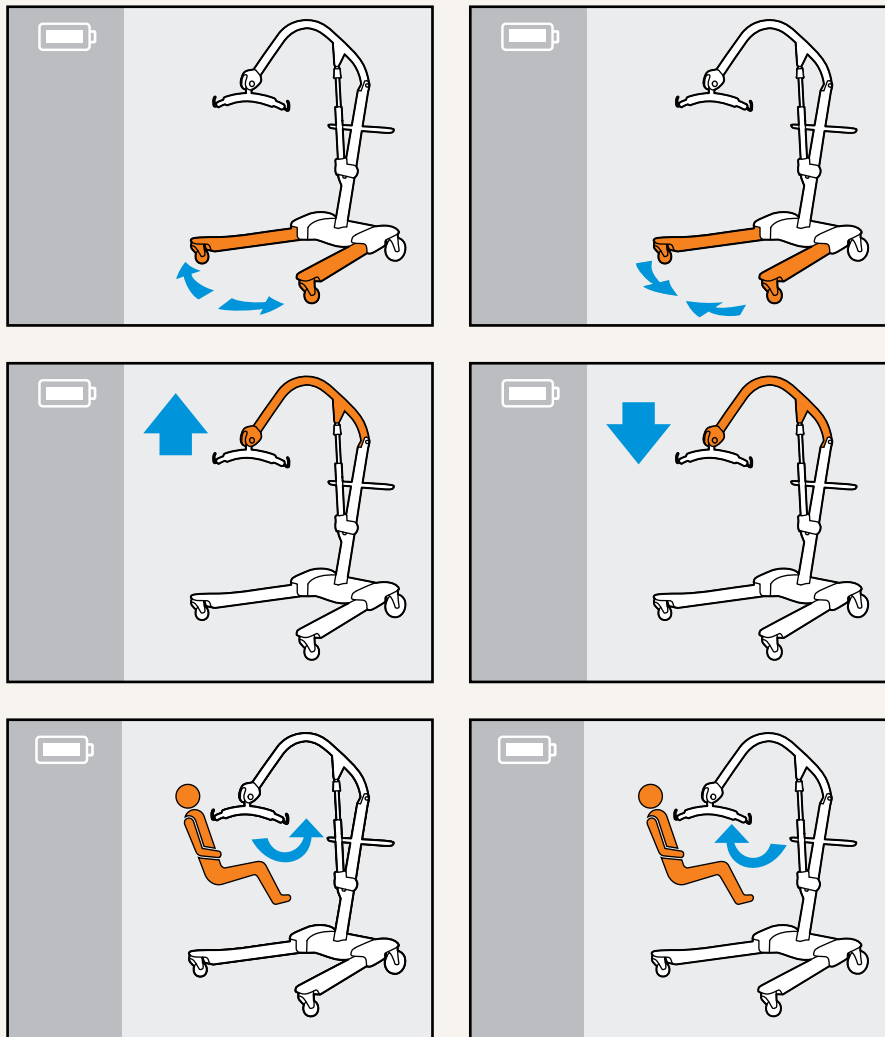


Dimensions with Bracket
(mm)



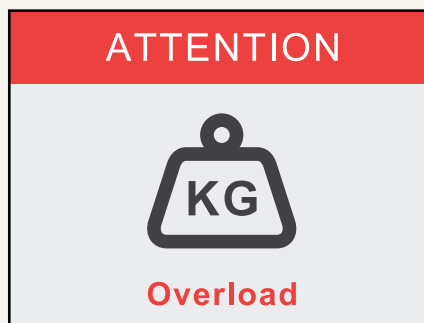
Operation Status

Control legs open / close and sling up / down

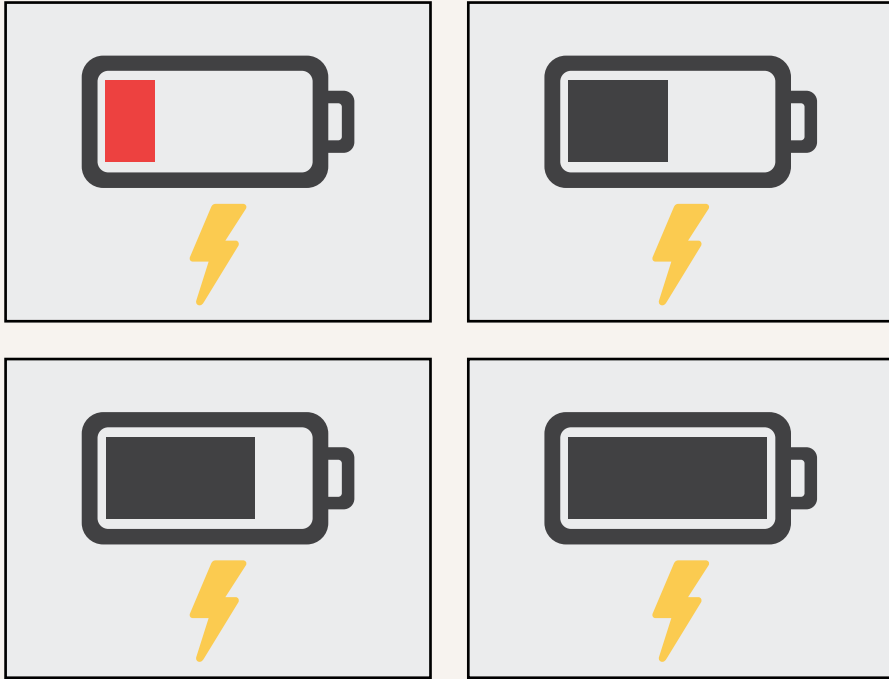


Notification

Alarm for low battery capacity, overloading, and safety switch to prevent over extending

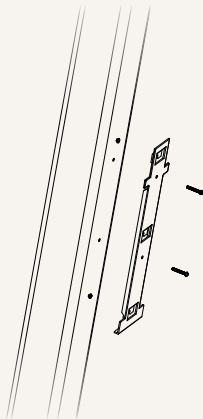


Battery Status

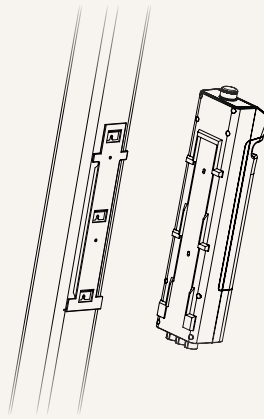


Installation Guide

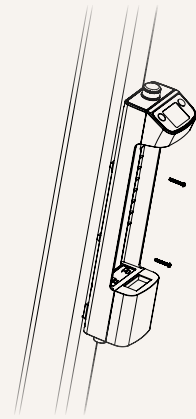
1. Install the bracket on the hoist frame



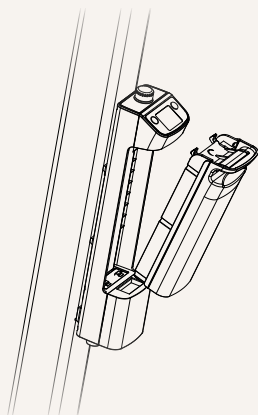
2. Install the TC12 on the bracket



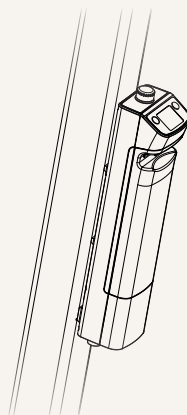
3. Make sure all fasteners are tightened properly



4. Install the battery



5. Installation is complete



System Overview

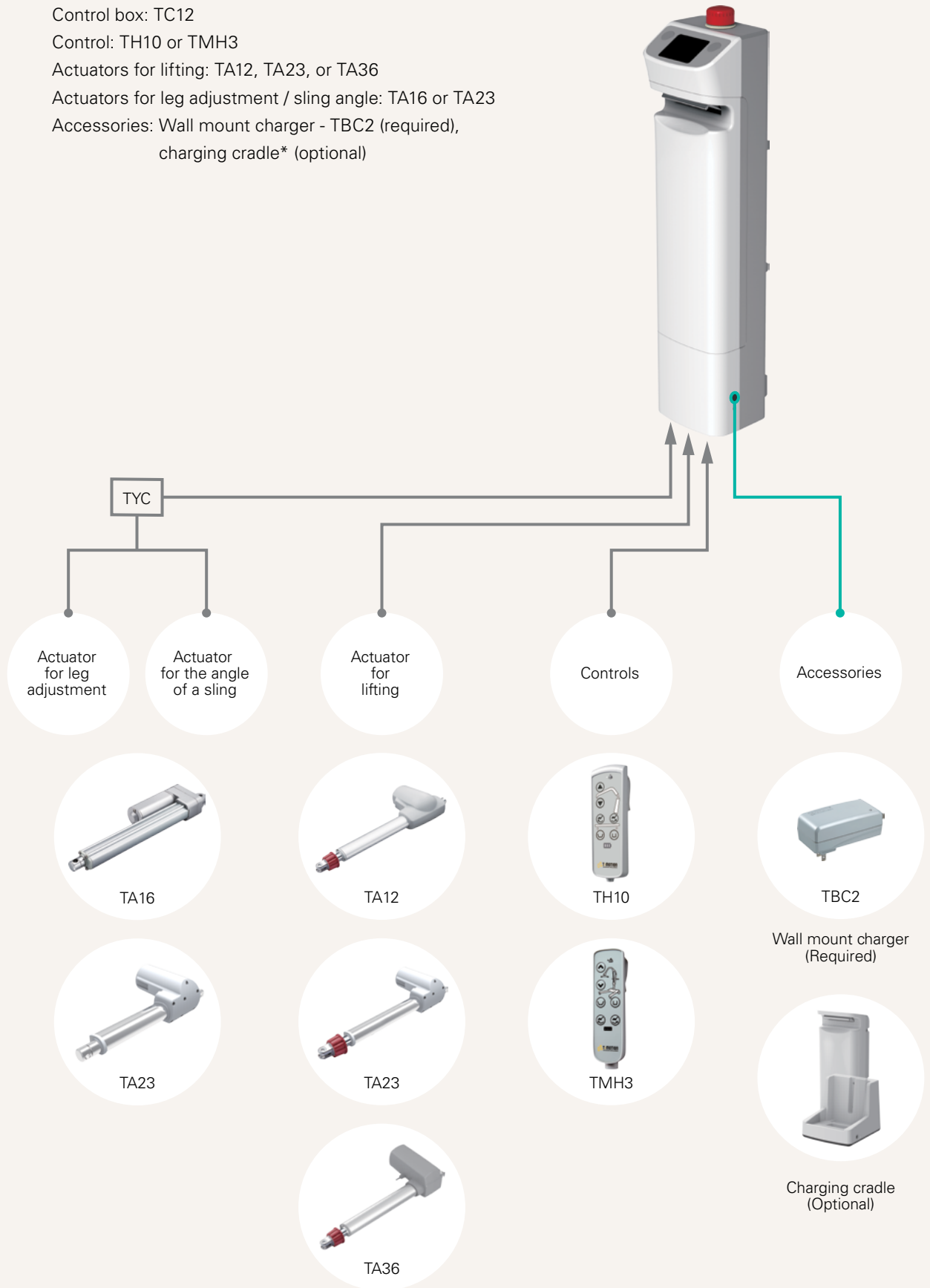
Control box: TC12

Control: TH10 or TMH3

Actuators for lifting: TA12, TA23, or TA36

Actuators for leg adjustment / sling angle: TA16 or TA23

Accessories: Wall mount charger - TBC2 (required),
charging cradle* (optional)



Note

1 One of TBC2's options is a charging cradle which allows the battery pack to charge separate from the control box.

TC12

Version: 20171116-H

Built-in Battery	0 = Without	1 = 24V / 2.9Ah	2 = 24V / 5.0Ah
Channel for Actuator	1 = 1	2 = 2	3 = 3 (Sharing M2 socket with motor #2, connected by Y-cable)
Color	1 = Standard (Top cover: light grey 1C; bottom cover: cold grey 5C)		
Digital Display	1 = Black / white 2 = Color 3 = Without display, with buzzer 4 = Without display, with buzzer and 2 control buttons		5 = Without display, with buzzer and 4 control buttons, LED with battery level 6 = Without display, with buzzer and 4 control buttons, without LED battery level
IP Rating	1 = Without	2 = IP54	

TC12 - Without MCU Ordering Key

TC12

Version: 20171116-H

Built-in Battery	0 = Without	1 = 24V / 2.9Ah	2 = 24V / 5.0Ah
Channel for Actuator	1 = 1	2 = 2	
Color	1 = Standard (Top cover: light grey 1C; bottom cover: cold grey 5C)		
Digital Display	0 = Without display, without buzzer, without buttons_w/o MCU 7 = Without display, without buzzer, with 2 buttons_w/o MCU		
IP Rating	1 = Without	2 = IP54	

Terms of Use

The user is responsible for determining the suitability of TiMOTION products for a specific application. TiMOTION products are subject to change without prior notice.