

TC14

series



Product Segments

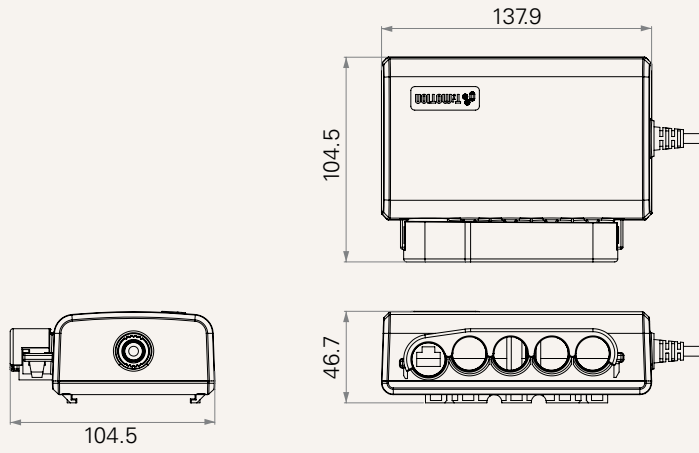
- **Care Motion**

General Features

Number of actuators	1~4
Color	Black or grey
IP rating	Up to IP66
Certificate	IEC60601-1

Drawing

Standard Dimension
(mm)



TC14

Version: 20141028-D

Number of Actuators	1 = 1	2 = 2	3 = 3	4 = 4
Color	1 = Black		2 = Grey (Pantone 428C)	
Cable Length	1 = Straight, 1000mm, 01pin, male 2 = Straight, 1000mm, DIN 5pin, male		A = Customized	
Fixation	1 = On the actuator (TA6/TA6C/TA7/TA10) 2 = On the steel bracket		3 = On the plastic bracket	
IP Rating	1 = Without	2 = IP54	3 = IP66	

Terms of Use

The user is responsible for determining the suitability of TiMOTION products for a specific application. TiMOTION products are subject to change without prior notice.