

# TC15

series



## Product Segments

- **Comfort Motion**
- **Ergo Motion**

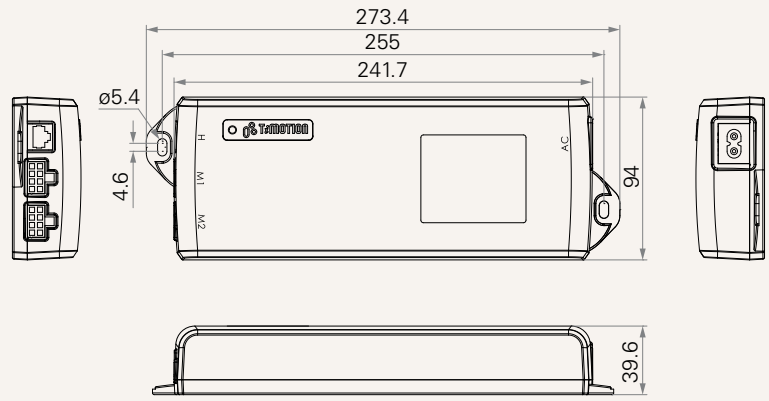
## General Features

Built-in transformer type	SMPS
Maximum output	32V DC, 4A
Plug support	EU, USA, AUS, UK, JPN
Number of actuators	2
Color	Black
Certificate	UL508, SAA, C-Tick
0.1W standby power consumption	
Especially designed for adjustable height desk application	
Support synchronous movement	

# TC15 Series

## Drawing

Standard Dimensions  
(mm)



## TC15

Version: 20180328-G

<b>Plug</b>	1 = EU 2 = US	3 = AU 4 = UK	5 = JP
<b>Color</b>	1 = Black		
<b>Cable Length (mm)</b>	1 = Straight, 1500	2 = Straight, 2000	3 = Straight, 4000
<b>Transformer</b>	1 = SPM-120C (32V / 4.0A + 5V / 100mA, 0.1W standby power, 100-240V) 4 = SPM-73C (32V / 2.5A + 5V / 100mA, 0.1W standby power, 100-240V) 5 = SPM-120 (32V / 4.0A, 0.5W standby power, 100-240V) 8 = SPM-73 (32V / 2.5A, 0.5W standby power, 100-240V) K = SPM-120Q (32V / 4.0A + 5V / 100mA, 0.1W standby power, quick start, 100-240V)		

### Terms of Use

The user is responsible for determining the suitability of TiMOTION products for a specific application. TiMOTION products are subject to change without prior notice.