

# TC20

series



## Product Segments

- **Care Motion**
- **Industrial Motion**

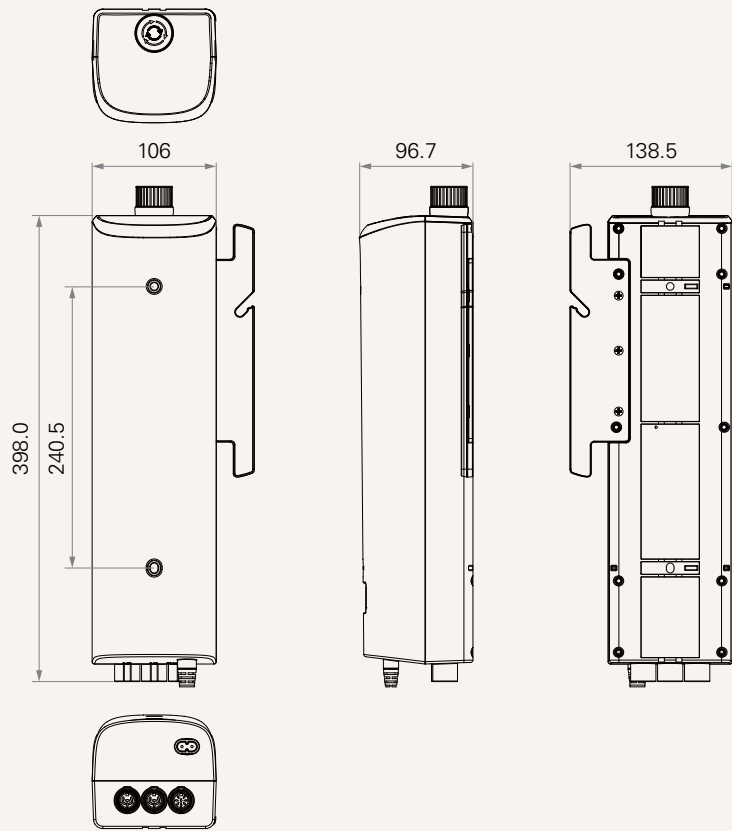
TC20 is an economical control box for a patient hoist system which meets specific patient needs and to secure a safe and comfortable transfer. It's portable and easy to be installed for the caregivers in the nursing home applications.

### General Features

Number of actuators	1~3
Input voltage	100~240V AC
Built-in battery pack	24V, 2.9Ah / 5Ah
IP rating	Up to IP66
Options	With cable management bracket
Emergency stop button	
Easy installation	

**Drawing**

Standard Dimensions  
(mm)



<b>Input Voltage</b>	4 = 100 ~ 240VAC		
<b>Numbers of Actuators</b>	1 = 1	2 = 2	3 = 3 (Using TYC to extend M2 socket for M2 actuator and M3 actuator)
<b>Number of Controls</b>	1 = 1		
<b>Battery LED Indicator</b>	0 = Without	1 = With	
<b>Battery Capacity</b>	1 = 24V / 2.9Ah	2 = 24V / 5.0Ah	
<b>Grounding</b>	0 = Without		
<b>AC Plug</b>	1 = EU 2 = US	3 = AU 4 = UK	5 = JP
<b>AC Plug Angle</b>	2 = 180°		
<b>AC Cable Length (mm)</b>	0 = Without	1 = Straight, 1000	2 = Straight, 2000 3 = Straight, 3000
<b>Color</b>	3 = Cover Cool Gray 1C, Base Cool Gray 5C		
<b>Cable Organizer</b>	0 = Without	1 = With	
<b>IP Rating</b>	1 = Without	2 = IP54	3 = IP66

### Terms of Use

The user is responsible for determining the suitability of TiMOTION products for a specific application. TiMOTION products are subject to change without prior notice.