

TC21

series



Product Segments

- **Care Motion**

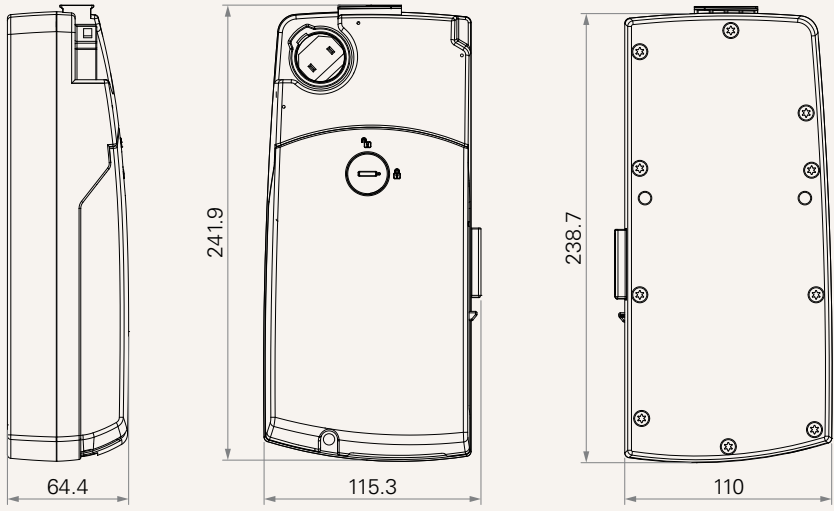
General Features

Input voltage	100V~240V AC (SMPS)
Built-in transformer	32V DC, 2.5 / 4A
Number of actuators	1~5
Number of hand controls	1~2
Color	Black or grey
IP rating	Up to IP66W
Certificate	IEC60601-1, IEC60601-1-2
Options	Compatible with TRF2 - wireless receiver, TRL - reading light, or TBL - bed bottom light.

TC21 Series

Drawing

Standard Dimensions
(mm)



Input Voltage	4 = 100~240V AC		
Transformer	7 = SMPS (32V / 2.5A)	9 = SMPS (32V / 4A)	
MCU	0 = Without	1 = With	
Number of Actuators	1 = 1 2 = 2	3 = 3 4 = 4	5 = 5
Number of Controls	1 = 1	2 = 2	
Channel for TBB	0 = Without	1 = With	
Buzzer	0 = Without	1 = With	
Grounding	0 = Without	3 = On AC cable	
AC Plug	1 = EU 2 = US	3 = AU 4 = UK	5 = JP
AC Plug Angle	1 = 90°	2 = 180°	
AC Female Plug Angle	1 = 90°		
AC Cable Length (mm)	0 = Without	3 = Straight, 2000	4 = Straight, 4000
Cord Buckle	0 = Without	1 = With	
Color	1 = Black	2 = Grey (Pantone 428C)	
Fixation	1 = On the bed frame 4 = On the actuator (TA1)	6 = On the actuator (TA7) 7 = On the actuator (TA23)	8 = On the actuator (TA31)
Cover Lock	1 = "—" type		
IP Rating	0 = Without	1 = IP54	2 = IP66 3 = IP66W

Terms of Use

The user is responsible for determining the suitability of TiMOTION products for a specific application. TiMOTION products are subject to change without prior notice.