

TC2

series



Product Segments

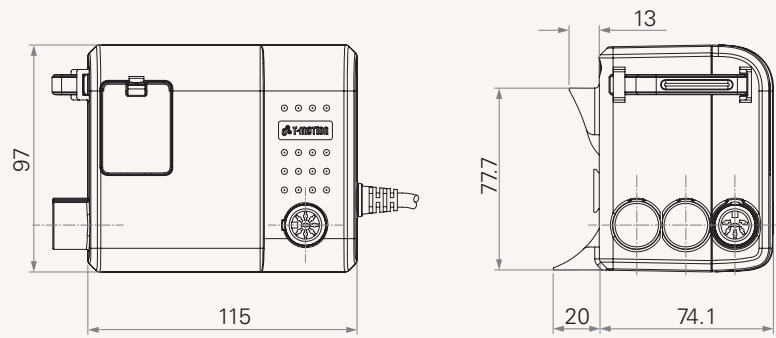
- **Comfort Motion**

General Features

Voltage	100V AC, 120V AC, 230V AC, or 100~240 V AC (SMPS)
Built-in transformer type	EI or SMPS
Maximum output	22V DC, 3.0A
Plug support	EU, USA, AUS, UK, JPN, or customized
Number of actuators	1~3
Color	Black or grey
Certificate	UL, RCM, SAA, C-Tick, and RoHS
Over current protection	






Drawing

Standard Dimensions
(mm)



TC2

Version: 20151007-H

	Voltage	1 = 100V AC	2 = 120V AC	3 = 230V AC	4 = 100~240V AC (SMPS)
	Plug	1 = EU 2 = US	3 = AUS 4 = UK	5 = JPN A = Others	
	Number of Actuators	1 = 1	2 = 2	3 = 3	
	Color	1 = Black		2 = Grey (Pantone 428C)	
	Cable Length	1 = Straight, 2000mm	2 = Straight, 4000mm	A = Customized	

Terms of Use

The user is responsible for determining the suitability of TiMOTION products for a specific application. TiMOTION products are subject to change without prior notice.