

# TEK12

## series

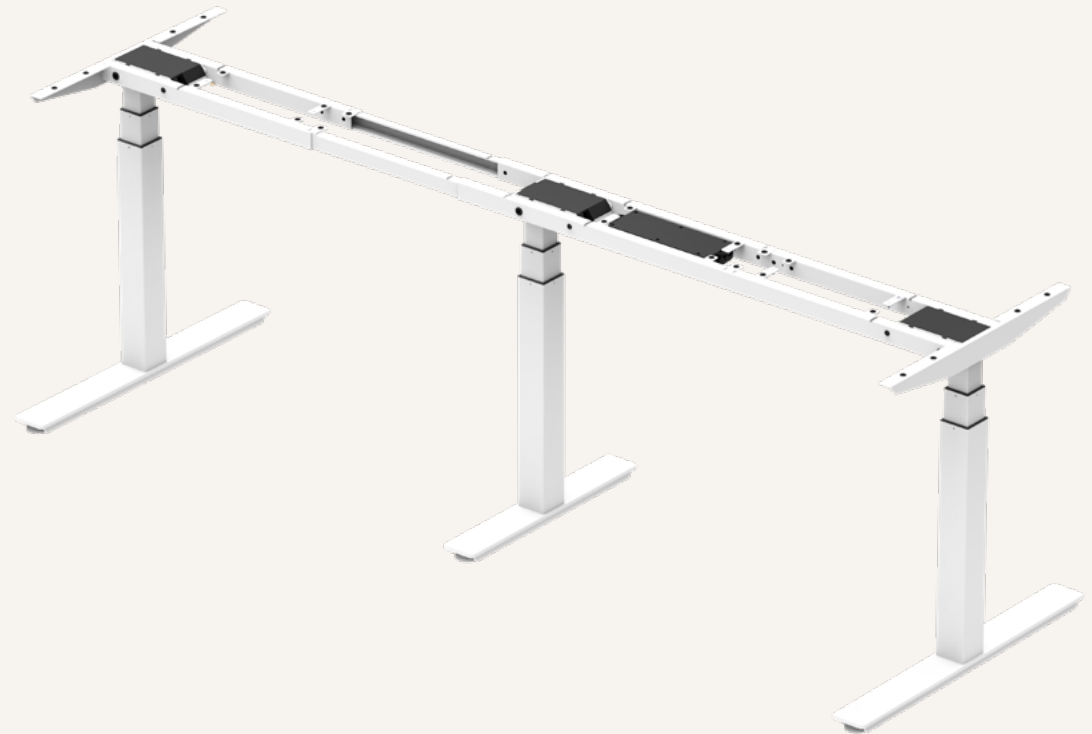
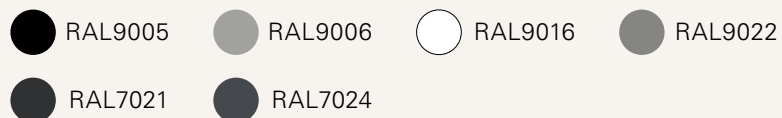
### Product Segments

#### • Ergo Motion

#### General Features

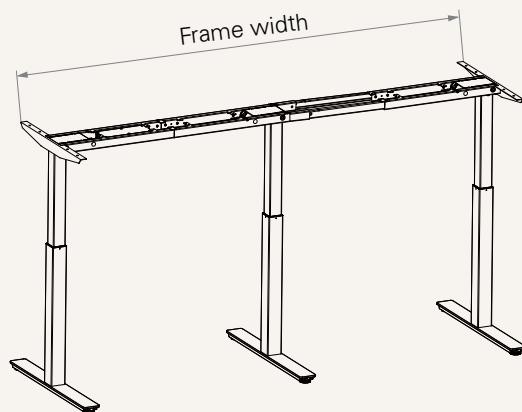
Frame Orientation	Rectangular
Maximum load	120 or 150kg
Constant speed (< 80kg)	3 stage column 40mm/s 2 stage column 33mm/s
Weight of TEK01 Package	61.3Kg*  *The actual weight of package may vary due to customer's selection of components.
Accessories (optional)	Enhanced anti-collision feature with t-touch, TFA1/3, TWC
Low standby power	< 0.1W
Multiple column and control options	
High strength and stability – Steel construction	
Modular design – Easily change the TEK01 rectangular desk frame into the three leg conference table configuration	

#### Color (RAL Classic)

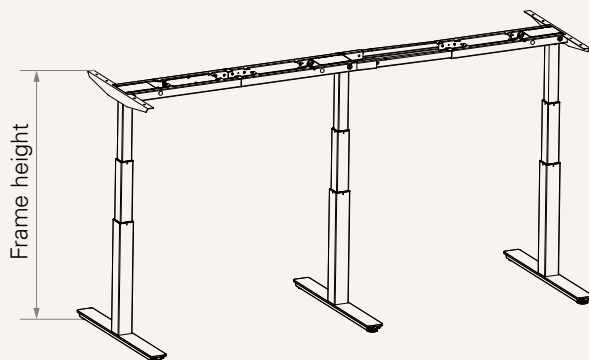


**Drawing**

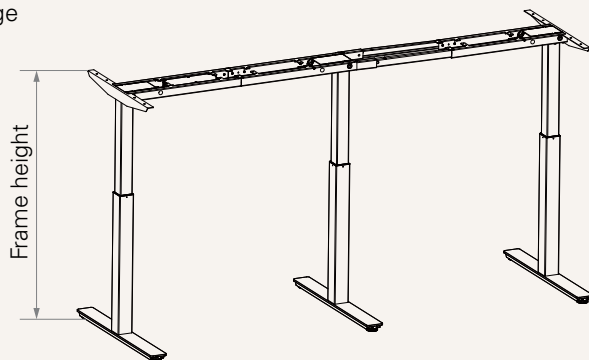
Dimensions



• 3-Stage



• 2-Stage

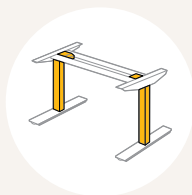


Frame Dimensions	Recommended Work Surface Dimensions	
Width (mm)	Width (mm)	Depth (mm)
2260~3460	2300~3500	700~1000

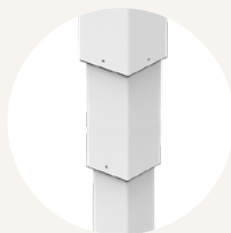
Column Type	Frame Height (mm)	Stroke (mm)
<b>3-Stage</b>	630~1280	650
<b>3-Stage (M)</b>	600~1260	660
<b>3-Stage (S)</b>	560~1220	660
<b>2-Stage</b>	680~1180	500

TL Model

• 3-Stage



TL4  
Square  
70 x 70 mm



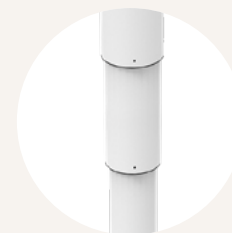
TL7  
Square  
70 x 70 mm



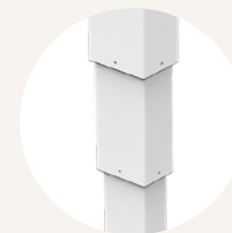
TL9  
Round  
ø70 mm



TL10  
Rectangular  
80 x 60 mm



TL11  
Round  
ø70 mm



TL12  
Rectangular  
80 x 60 mm

• 2-Stage



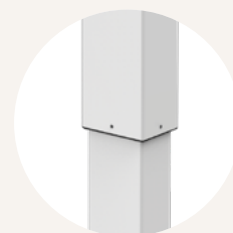
TL13  
Square  
70 x 70 mm



TL14  
Round  
ø70 mm



TL15  
Rectangular  
80 x 60 mm



TL26  
Rectangular  
80 x 60 mm



TL28  
Square  
70 x 70 mm

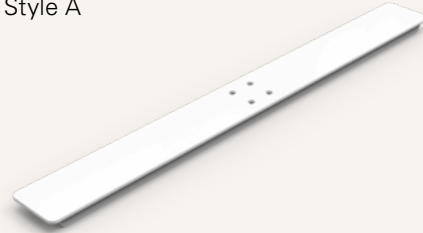


TL29  
Round  
ø70 mm

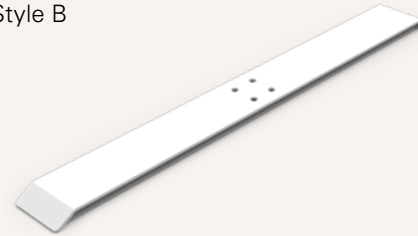
Foot (mm)



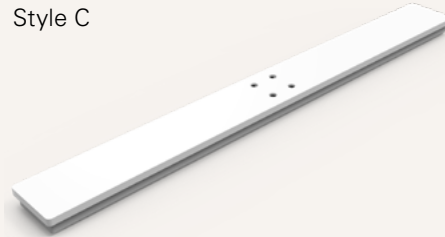
Style A



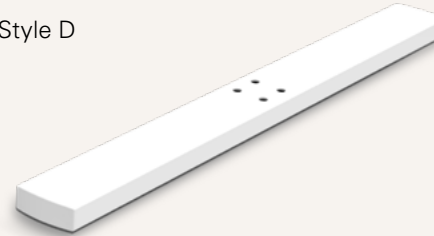
Style B



Style C



Style D

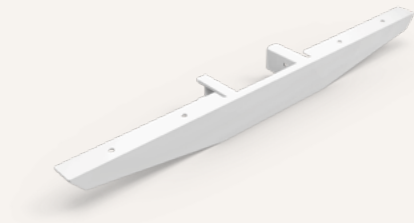


Code	Style	Thickness (mm)	Length (mm)	Code	Style	Thickness (mm)	Length (mm)
0	Without	-	-	C	A	8	550
1	A	8	750	D	C	Aluminum extrusion	550
2	A	5	750	F	B	5	550
3	B	5	750	G	B	5	680
4	B	8	750	H	B	8	550
6	C	Aluminum extrusion	750	L	D	Tube	550
7	D	Tube	750	M	A	5	600
8	A	5	550	N	A	8	680
9	A	5	680	P	C	Aluminum extrusion	600

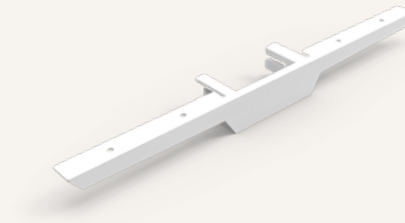
End Pipes (mm)



Style A  
(for fixed tabletop)



Style B  
(for fixed tabletop)



Hand Control



1 = TH37



2 = TFH8



3 = TDH1



4 = TDH2



5 = TDH3



6 = TDH4

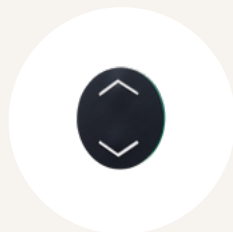
Hand Control



7 = TDH5



8 = TDH6



9 = TFH13



B = TH14



C = TFH21



D = TDH8P



E = TDH8



F = TDH8D



G = TDH11P



H = TDH12P



K = TDH16



L = TDH6PR



M = TDH5PR



N = TDH13P



P = TDH15



Q = TDH18P



R = TDH17

Accessories (optional)



TCS1

TCS1 is a collision sensor based on t-touch technology which does not require any additional hardware upgrades.



TFA1

A charger with 2 USB ports. Can be mounted on the table top.



TFA3

A charger with 2 USB ports. Can be mounted to the desk front side.



TWC

Designed for wireless charging of mobile devices. Can be mounted on the table top.

# TEK12 Ordering Key

## TEK12

Version: 20190529-B

<b>TL Model</b> <a href="#">See page 3</a>	004 = TL4 007 = TL7	009 = TL9 010 = TL10	011 = TL11 012 = TL12	013 = TL13 014 = TL14	015 = TL15 026 = TL26	028 = TL28 029 = TL29		
<b>Foot (mm)</b>	<a href="#">See page 4</a>							
<b>Color</b>	1 = Black (RAL 9005) 2 = Grey (RAL 9006)			3 = White (RAL 9016) 4 = Special grey (RAL 9022)		6 = Matte Black (RAL7021) 7 = Graphite grey (RAL7024)		
<b>TC Model</b>	1 = Without	1 = TC16	1 = TC16P					
<b>Hand Control</b> <a href="#">See page 5</a>	0 = Without 1 = TH37 2 = TFH8	3 = TDH1 4 = TDH2 5 = TDH3	6 = TDH4 7 = TDH5 8 = TDH6	9 = TFH13 B = TH14 C = TFH21	D = TDH8P E = TDH8 F = TDH8D	G = TDH11P H = TDH12P K = TDH16	L = TDH6PR M = TDH5PR N = TDH13P	P = TDH15 Q = TDH18P R = TDH17
<b>End Pipe (mm)</b> <a href="#">See page 5</a>	1 = Style A, fixation holes, E1 & E2: 600, Standard 2 = Style A, fixation holes, E1 & E2: 500			3 = Style B, fixation holes, E1 & E2: 600 4 = Style B, fixation holes, E1 & E2: 500		5 = Style A, fixation holes, E1&E2: 550		
<b>Desk Frame (mm)</b>	1 = With Normal desk frame, W: 2260-3460							
<b>Assembly Manual</b>	0 = Without C = Chinese, TiMOTION logo, Black / White printing E = English, TiMOTION logo, Black / White printing 1 = Chinese, TiMOTION logo, colour printing 2 = English, TiMOTION logo, colour printing			3 = Chinese, No logo, Black / White printing 4 = English, No logo, Black / White printing 5 = Chinese, No logo, colour printing 6 = English, No logo, colour printing				



# MP-TEK12 Ordering Key

## MP-TEK12

Version: 20190529-B

<b>TL Model</b>	004 = TL4	009 = TL9	011 = TL11	013 = TL13	015 = TL15	028 = TL28		
<a href="#">See page 3</a>	007 = TL7	010 = TL10	012 = TL12	014 = TL14	026 = TL26	029 = TL29		
<b>Foot F2 (mm)</b>	<a href="#">See page 4</a>							
<b>Color</b>	1 = Black (RAL 9005)			3 = White (RAL 9016)		6 = Matte Black (RAL7021)		
	2 = Grey (RAL 9006)			4 = Special grey (RAL 9022)		7 = Graphite grey (RAL7024)		
<b>TC Model</b>	1 = Without	1 = TC16	1 = TC16P					
<b>Hand Control</b>	0 = Without	3 = TDH1	6 = TDH4	9 = TFH13	D = TDH8P	G = TDH11P	L = TDH6PR	P = TDH15
<a href="#">See page 5</a>	1 = TH37	4 = TDH2	7 = TDH5	B = TH14	E = TDH8	H = TDH12P	M = TDH5PR	Q = TDH18P
	2 = TFH8	5 = TDH3	8 = TDH6	C = TFH21	F = TDH8D	K = TDH16	N = TDH13P	R = TDH17
<b>Desk Frame (mm)</b>	1 = With Normal desk frame, W: 2260-3460							
<b>Assembly Manual</b>	0 = Without			3 = Chinese, No logo, Black / White printing				
	C = Chinese, TiMOTION logo, Black / White printing			4 = English, No logo, Black / White printing				
	E = English, TiMOTION logo, Black / White printing			5 = Chinese, No logo, colour printing				
	1 = Chinese, TiMOTION logo, colour printing			6 = English, No logo, colour printing				
	2 = English, TiMOTION logo, colour printing							

### Terms of Use

The user is responsible for determining the suitability of TiMOTION products for a specific application. TiMOTION products are subject to change without prior notice.